

GRAM Xtrem Zebra S



600 kg
3.000 kg



Weighing bars for demanding conditions

- For weighing very long objects, structures and cages, with top anchorage.
- In stainless steel with a glass bead pressure blasted polished finish and Class C3 sensors with IP68 protection.
- Corrosion resistant, versions in AISI 304 and AISI 316 for extreme conditions.
- Highly reliable with Z Link® communication technology and Xtrem® digital core.
- Fully autonomous, data sent to an indicator, PC, tablet or Android smartphone ⁽¹⁾.
- Maximum safety: important adjustment and calibration data incorporated in the platform are armoured.
- Web Server to send data to Chrome, Edge and Safari browsers.
- Total flexibility: Data sent by cable, Ethernet ⁽²⁾, WiFi ⁽²⁾ or RS485 ⁽²⁾.
- Prepared for high connectivity (Industry 4.0)

(1) With Wi-Fi option.

(2) Optional.



View the data on a smartphone

Our Xtrem equipment with WiFi option sends the data directly from the platform to a smartphone using our Android app, directly and without an indicator, from the weighing platform to the smartphone. It's that easy.

Hold

→T←

Time

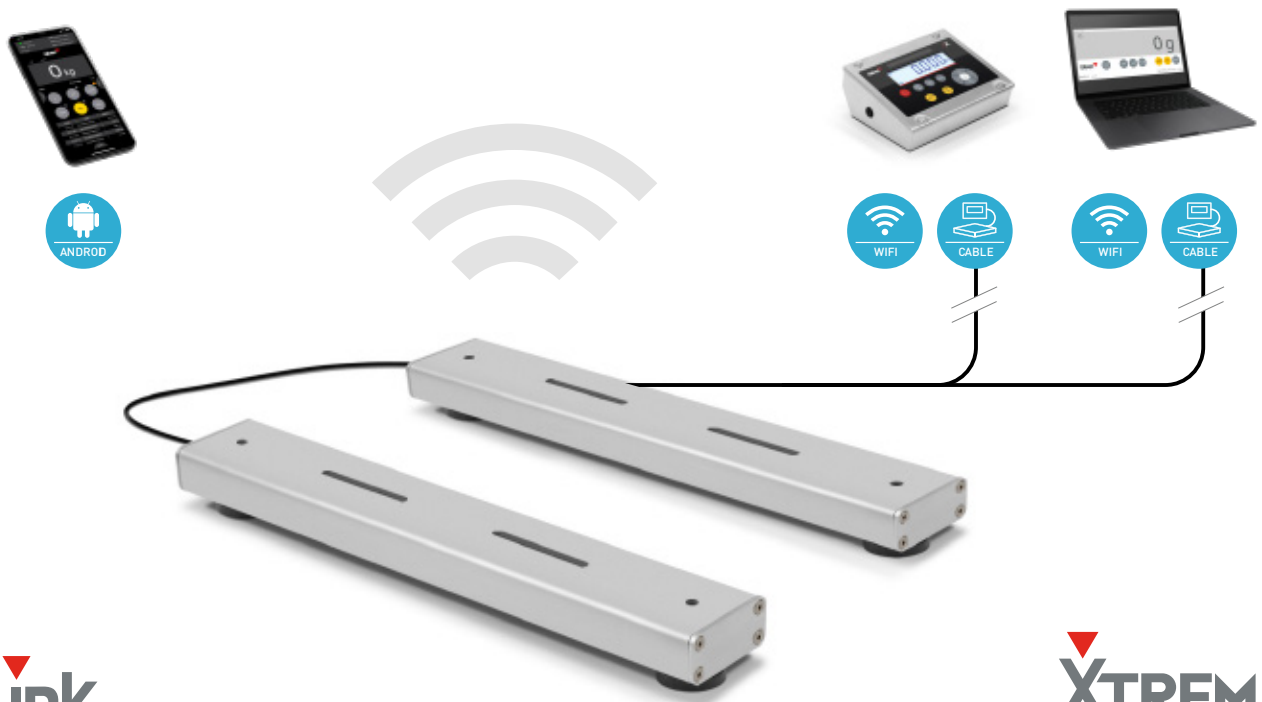
Item

09:07:46

7638900295641

12:10:26

7638900295641

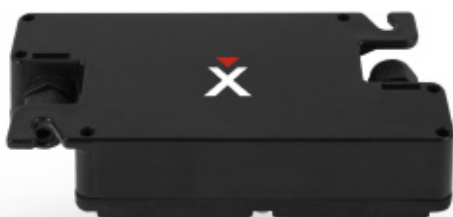


Z-Link® connectivity

- Multiple connection options with indicators, PC software and Android smartphone.
- Fully digital platforms that include all data in its internal Xtrem module.
- Greater safety and reliability due to digital communication between platform, indicators and PC or Android software.
- Data sent directly to PC or smartphone by optional WiFi in the platform's own Xtrem module.
- Connection of multiple platforms via Wi-Fi or Ethernet router, for central management.
- Web Server for data capture from Chrome, Edge and Safari browsers.

Protected connection with steel tube

- The Z Link® connection cable is protected along most of its length by a steel tube.
- Excellent adaptation to the platform output for greater robustness.
- Guarantees proper communication of your Xtrem® equipment with peripherals. Digital data are not influenced by bad connections or other equipment.



Digital core

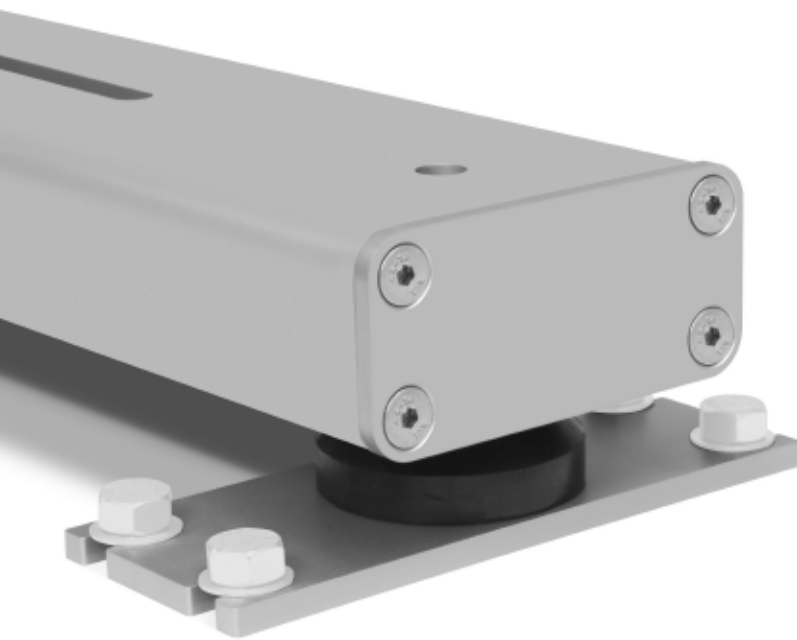
- Xtrem® digital module integrated inside the platform structure.
- The most advanced technology for maximum data security.



Advanced connectivity

- Our Xtrem equipment connects directly ⁽³⁾ to the Ethernet, Wifi or RS485 without intermediate equipment.

(3) Optional.



Fixed assembly

Optional plates allow for fixed assembly.

No limits
Capable of weighing very long objects, practically no length limit (up to 4 ; longer length available optionally).



Adaptable

A high-capacity weight scale ready for installation in any structure.

Extra-long Z Link cables

- The standard Z Link digital connection cable can be replaced with longer ones of 8 and 15 m.
- Allows replacement in case of failure or breakage, due to its sealed connection and quick connectors.



4 m Z Link cable as standard.



Optional 8m Z Link cable.



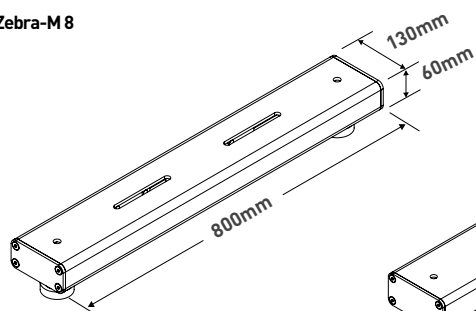
Optional 15m Z Link cable.

Model	Xtrem Zebra-S 8-600 /4	Xtrem Zebra-S 8-1.5T /4	Xtrem Zebra-S 8-3T /4	Xtrem Zebra-S 12-600 /4	Xtrem Zebra-S 12-1.5T /4	Xtrem Zebra-S 12-3T /4	Xtrem Zebra-S 8-600 /16	Xtrem Zebra-S 8-1.5T /16	Xtrem Zebra-S 8-3T /16	Xtrem Zebra-S 12-600 /16	Xtrem Zebra-S 12-1.5T /16	Xtrem Zebra-S 12-3T /16
Reference	72151	72152	72153	72154	72155	72156	72157	72158	72159	72160	72161	72162
Capacity	600 kg	1.500 kg	3.000 kg	600 kg	1500 kg	3.000 kg	600 kg	1.500 kg	3.000 kg	600 kg	1500 kg	3.000 kg
Resolution	200 g	500 g	1.000 g	200 g	500 g	1.000 g	200 g	500 g	1.000 g	200 g	500 g	1.000 g
Weighing units	g, kg											
Class	OIML (III)											
Maximum error (g)	± 0,1%											
Tare range (g)	- Max2											
Connectivity	RS232C, Ethernet (1), WiFi (1), RS485 (1)											
Transmission speed	9600, 19200, 38400, 57600, 115200 bauds											
Power	Adapter 230 V/50 Hz (Euro) 7.5 Vdc or via indicator											
Working temperature	-10°C / +40°C											
Structure	AISI 304 stainless steel						AISI 316 stainless steel					
Load sensors	4 x B8Q IP68											
Connections box	Hermetic with IP-68 protection, in AISI 304 stainless steel						Hermetic with IP-68 protection, in AISI 316 stainless steel					
Dim. weighing area (mm)	130 x 800			150 x 1200			130 x 800			150 x 1200		
Minimum height (mm)	105			105			105			105		
Maximum height (mm)	115			115			115			115		
Platform net weight (kg)	12 x 2u.			25 x 2u.			12 x 2u.			25 x 2u.		
Packaging dim. (mm)	820 x 280 x 135			1220 x 320 x 135			820 x 280 x 135			1220 x 320 x 135		
Total weight with packaging (kg)	25			52			25			52		

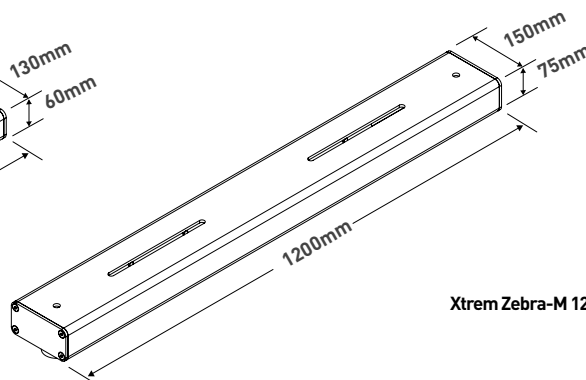
(1) Non-simultaneous options.

External dimensions (mm)

Xtrem Zebra-M 8



Xtrem Zebra-M 12



▶ XTREM INDICATORS

K3X indicator

- With CE-M Verification for legal use.
- Classification or check by weight with display in 3 colours.
- Tare memory for weighing tanks and silos.
- Accumulation of weights with totalling.
- Normal or fixed tare, with 20 memories.
- Print-out with 3 lines at the top and 2 lines at the end of the ticket.
- Date and time on ticket records.
- Accumulation of weights with totalling.
- RS232C serial connection for PC and optional printers.
- Optional USB output to PC
- 3-relay digital output and simple, single-speed dispensing.
- ABS casing with IP65 protection.



K3iX indicator

- With CE-M Verification for legal use.
- Classification or check by weight with display in 3 colours.
- Tare memory for weighing tanks and silos.
- Accumulation of weights with totalling.
- Normal or fixed tare, with 20 memories.
- Print-out with 3 lines at the top and 2 lines at the end of the ticket.
- Date and time on ticket records.
- Accumulation of weights with totalling.
- RS232C serial connection for PC and optional printers.
- Optional USB output to PC
- 3-relay digital output and simple, single-speed dispensing.
- AISI 304 stainless steel casing with IP65 protection.



K3iX P indicator

- With CE-M Verification for legal use.
- Classification or check by weight with display in 3 colours.
- Tare memory for weighing tanks and silos.
- Accumulation of weights with totalling.
- Normal or fixed tare, with 20 memories.
- Print-out with 3 lines at the top and 2 lines at the end of the page.
- Date and time on ticket records.
- Accumulation of weights with totalling.
- 3-relay digital output and simple, single-speed dispensing.
- AISI 304 stainless steel casing.



▶ SOFTWARE XTREM

PC Xtrem

- Indicator PC software with CE-M Verification for legal use.
- Scalable display size, can occupy the entire screen.
- Data recording and export in CSV file.
- 3 free data fields to include more information.
- Copies and pastes the weight, or drags it to another window.
- Enter a tare value using the numeric keypad.
- Allows configuration of the balance from the same application.
- Shows several devices connected to the PC simultaneously, each in its own window.
- 10 times higher resolution available on the display.
- Display and export of weight data by QR code on screen.
- No need for a classic indicator; connects directly to the Xtrem scale via the included Z Link cable and an optional PC adapter cable.



APP Xtrem

- Prints labels (4) and records weights with user name, customer, date/time, product code and net, gross and tare weights.
- Send weight records via email, social networks and most of the Android terminal applications (4).
- Up to 4 Android terminals can be connected via our Xtrem app to the Xtrem balance.
- The application can be connected to any balance, if more than one is available.
- The product bar code can be scanned with the terminal camera (4).
- Has a Tare memory with a name database.
- View weight limits with partial and full screen.
- Export the results obtained to Excel (4).



(4) With Premium options activated.

Q1 label printer

- Prints labels from the smartphone with an Android app (4).
- Adds a barcode for the results.
- Autonomy of up to 14 hours on standby and up to 165 labels.
- Bluetooth connection.



(4) With Premium options activated.

▶ ACCESSORIES INDICATOR

PR4 printer

- Compact thermal printer.
- Printing speed of 130 mm/s.
- Ticket width 58 mm.
- Paper roll capacity up to 83 mm in diameter.
- Connection with K3X and K3iX by cable (included).



Q2 printer

- Easy paper loading.
- Printing speed: 76 mm/s.
- Detects the beginning of the label.
- Front exit, protected from liquids.
- Maximum capacity 90 mm diameter.
- LED status bar.
- Interchangeable print head without screws.
- Connection with K3X and K3iX by cable (included).



Traffic light with relay board

- LED indication with 3 adjustable levels for product classification or luminous information on weight differences programmed in the K3X, K3iX and K3iX P indicators.
- Wired connection.



USB connection

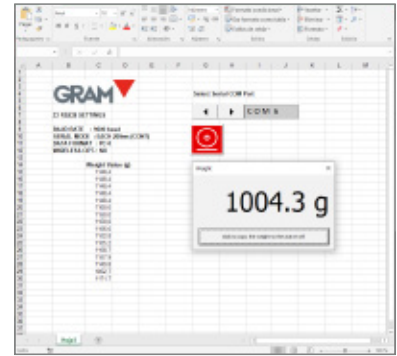
- Data output with USB-A female connector.
- PC compatible.
- USB-A to USB-A cable not included.



▶ INDICATOR SOFTWARE

EX Link

- PC application for data capture.
- Imports records in CSV or compatible sheet.



PW Link

- PC application for viewing and recording data.
- Display with adjustable dimensions - can occupy the entire PC screen width.
- View and record data with date and time.
- Export records to CSV.
- Compatible with K3X and K3iX, includes connection cable.



▶ CABLES

USB Direct K

- Smart direct connection with PC.
- Enter data in any open application on the PC.
- No software needed; the PC recognises the smart cable.
- The data sent includes the measurement unit (g or kg).



▶ CERTIFICATIONS

ISOCAL certificates

- Our Xtrem equipment is delivered with CE-M Verification as standard.
- We also offer our ISOCAL Certificates, with individualised calibration data for the Xtrem equipment.
- Help maintain your ISO9001 Quality System.



▶ INDICATOR COLUMNS

Painted steel base with stainless steel column for K3X

- Supports K3X indicator on a 930 mm tall column.



Indicador no incluido.

Painted steel base with stainless steel column for K3iX, K3iX P

- Supports a K3iX or K3iX P indicator on a 930 mm tall column.



Indicador no incluido.

Stainless steel base with stainless column for K3X

- Supports K3X indicator on a 930 mm tall column.



Indicador no incluido.

Stainless steel base with stainless column for K3iX, K3iX P

- Supports a K3iX or K3iX P indicator on a 930 mm tall column.



Indicador no incluido.

▶ INDICATOR BRACKETS

ABS ball joint support for K3X

- Adapts the K3X indicator for wall mounting.



Stainless steel U-shaped bracket for K3iX, K3iX P

U-shaped bracket for wall mounting of compatible indicators.



▶ CERTIFICATIONS

Ref.	Model
8025	ISOICAL certificate from 301 kg to 600 kg
8029	ISOICAL certificate from 601 kg to 1500 kg
8030	ISOICAL certificate from 1501 kg to 3000 kg

▶ XTREM OPTIONS

Ref.	Model
72026A	PC Xtrem software (includes cable to self-powered PC)
33819A	Xtrem Android app (includes WiFi connection and power cable)
71725A	Xtrem Premium app 1 year (includes WiFi connection and power cable)
32351	Z-Link connection 8m
32352	Z-Link connection 15m
71683	WiFi connection (1)
71683A	WiFi connection with power (includes PC Xtrem software) (1)
32377A	Powered Ethernet connection (includes PC Xtrem software) (1)
32382A	RS485 connection with power supply (includes PC Xtrem software) (1)
72034A	Bluetooth printer Q1 labels with Wifi board and Premium app 1 year

▶ K3X, K3iX OPTIONS

Ref.	Model
32330	3 Relays board
32332	Tare pedal
33772	Hour and Date board

▶ INDICATOR ACCESSORIES

Ref.	Model
70034X	PR4 printer with cable for K3, K3i (2)
70814A	Q2 label printer with cable for K3, K3i (2)
70814B	Q2 ticket printer with cable for K3, K3i (2)
5263A	RD3 Repeater Indicator with 4m cable for K3, K3i (2)
6170A	K3 Repeater Indicator with 4m cable (2)
6171A	K3i Repeater Indicator with 4m cable (2)
60210A	3 light LED column with relay board
3792A	Software EX-Link (includes 4m cable to PC)
3792C	Software EX-Link (includes USB Output)
71722A	Software PW-Link (includes 4m cable to PC)
71722G	Software PW-Link (includes USB Output)
61084	USB Direct cable K (2)
33770	USB Output (2)
3804X	CS-1 Painted steel floor stand with stainless steel column for K3X, K3W
3804B	CS-1 Painted steel floor stand with stainless steel column for K3iX, K3iW, K3iX P
3805A	CS-1 S Stainless steel floor stand with stainless steel column for K3X, K3W
3805X	CS-1 S Stainless steel floor stand with stainless steel column for K3iX, K3iW, K3iX P
32278	Stainless steel U wall support (K3X, K3iX, K3iW, K3iX P)
31661	Painted steel wall support with ABS swivel base (K3X, K3W)

▶ PLATFORM ACCESSORIES

Ref.	Model
33745	Anchor plates Kit (4u.)

▶ NOTES

(1) They are exclusive, only one of these options can be placed.

(2) They are exclusive, only one of them can be used.