



AUTOMATIC LABELLERS LS-5000

Automatic high speed weigh-price labellers: up to 200 packages per minute.



INFORMATION



WEIGHING
DYNAMIC OR
STATIC



4" PRINTER
250 mm/s



**MULTIPLE
POSITION
LABELLING**



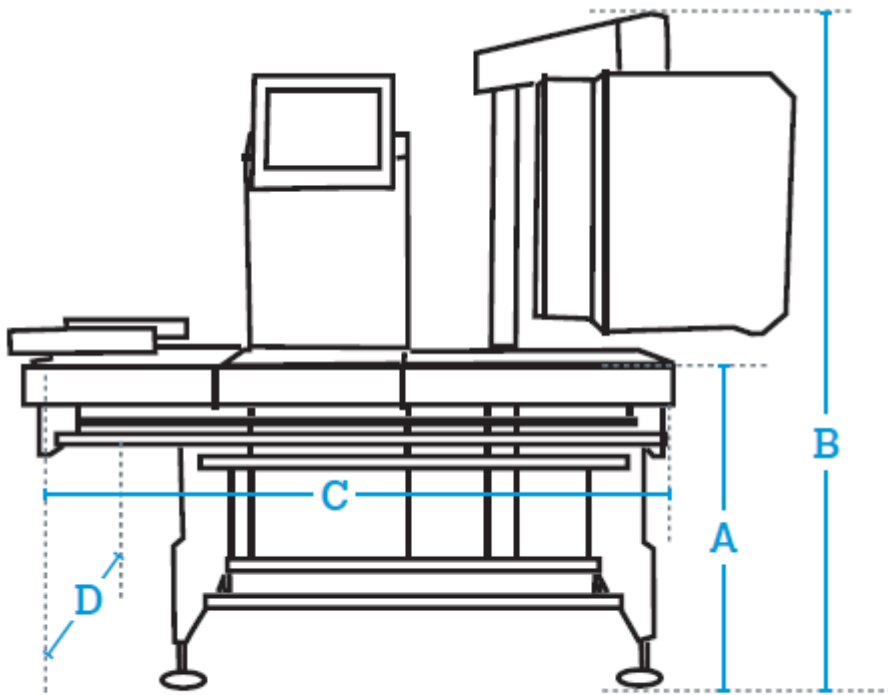
8,000 PLUs
MEMORY



ETHERNET



**METROLOGICAL
VERIFICATION**
OPTIONAL (EU)



Data in mm

A	750 - 850 (adjustable height)
B	1,550 - 1,850 (adjustable height)
C	1,526 (with L400-L400-L600 conveyors)*
D	595 (conveyors width + console width. For W280 conveyors)**

* These measurements correspond to the sum of the separation, infeed, weighing and labelling conveyors. For other sizes, contacts us.

** For other sizes, contact us.

OUTSTANDING FUNCTIONS

- **High speed weighing: up to 200 ppm.**
- **Labelling of fix/variable weight/price.**

- **Discrimination by weight checking.**
- **Generic traceability in label.**
- **Adapted to comply with EU Regulation 1169/2011 referring to food information.**
- **Barcodes: EAN-8, EAN-13, EAN128, CODE 128, ITF-14, QR code, GS1 Datamatrix and GS1 Databar (up to 4 barcodes per label).**
- **Air applicator: maximum productivity.**
- **State-of-the-art PC electronics.**
- **MID certification: approved equipment.**

WEIGHING

- **Weighing type:**
 - Dynamic or static.
- **Ranges according to dimensions of the weighing conveyors:**
 - 1,5 kg / 0,5 g with conveyors of 300 x W200 mm.
 - 3 kg / 1 g with conveyors of L300 x A200 mm and L400 x W280 mm.
 - 6 kg / 2 g with conveyors of L400 x W280 mm, L400 x W400 mm, L600 x W280 mm, L600 x W400 mm and L800 x W280 mm.
 - 15 kg / 5 g with conveyors of L600 x W400 mm, L800 x W280 mm and L800 x W400 mm.
- **For other weight ranges, please consult us.**

LABELLING SYSTEM

- **Print type:**
 - Direct Thermal (DT) or Thermal **Transfer (TT)**.
- **Printhead:**
 - Long-lasting 4" (historical control).
- **Resolution:**
 - 8 or 12 dots/mm.
- **High speed printing:**
 - Up to 300 mm/s.
- **Label applicator type:**
 - Pneumatic piston. In top labeller also possibility of 90° rotating applicator and "Air-jet®" air blowing.
- **Position of the label applicator:**
 - Top or side (front or back, consult us).

LABELS

- **Dimensions:**
 - From L40 x W40 mm, up to L120 x W102 mm.
- **Maximum width of back paper: 110 mm.**
- **Maximum label roll diameter: 300 mm.**
- **Inside diameter of the label roll cardboard core: Ø76 mm (the cardboard joint must be the same width as the backpaper).**

CONSTRUCTION

- **Structure:**
 - AISI 304L stainless steel and anodized aluminium.
- **Belts (all of them with FDA approval):**
 - Standard.
 - High speed: super adherent.
 - Sliders: for expulsion areas.
 - Hygienic.
- **Guides:**
 - AISI 304L stainless steel, anodized aluminum and cestilene.
- **Console:**
 - 15" touch screen TFT.
 - Adjusting the height of the top labeller from the console.

COMMUNICATION TO PC

- Ethernet TCP/IP.
- 2 RS-232.
- 4 USB (3.0).

PC SOFTWARE

- Direct connection to the equipment from any device with access to the same network as the LS-5000 through the Google Chrome browser.
- Data export to Excel or CSV.

POWER SUPPLY & COMPRESSED AIR

- Electrical: 230 V and 50 Hz; 115 V and 60 Hz.
- Air: max. 150 l/min (at 6-8 bar).

POSSIBLE INTEGRATION WITH OTHER EQUIPMENT

- Dibal LP-5000 manual weigh-price labeller.
- Dibal GS-5000 batch collector (+LP-5000).
- Dibal MD-5000 metal detectors.



Astintze, 26
48160 Derio (Vizcaya) Spain
T. (+34) 94 452 15 10
E. dibal@dibal.com