

C315.15/30.C2.R Load Cell Platform Scale, C315.30/60.C2.M Load Cell Platform Scale, C315.6.F1.M Load Cell Platform Scale, C315.150/300.C3.K Load Cell Platform Scale, C315.30.C2.K Load Cell Platform Scale, C315.15.C3.K Load Cell Platform Scale, C315.15/30.C2.K Load Cell Platform Scale, C315.3/6.F1.R Load Cell Platform Scale, C315.15/30.C3.K Load Cell Platform Scale, C315.15.C2.R Load Cell Platform Scale, C315.30.C3.M Load Cell Platform Scale, C315.60/150.C3.M Load Cell Platform Scale, C315.300.C2.K Load Cell Platform Scale, C315.1,5.F1.R Load Cell Platform Scale, C315.60/150.C2.K Load Cell Platform Scale, C315.15.C2.K Load Cell Platform Scale, C315.60.C3.K Load Cell Platform Scale, C315.1,5.F1.M Load Cell Platform Scale, C315.30.F1.M Load Cell Platform Scale, C315.6/15.F1.M Load Cell Platform Scale, C315.300.C3.K Load Cell Platform Scale, C315.150.C3.M Load Cell Platform Scale, C315.30/60.C3.K Load Cell Platform Scale, C315.60/150.C3.K Load Cell Platform Scale, C315.60.C2.K Load Cell Platform Scale, C315.60/150.C2.R Load Cell Platform Scale, C315.30/60.C2.R Load Cell Platform Scale, C315.150.C2.R Load Cell Platform Scale, C315.3/6.F1.K Load Cell Platform Scale, C315.15.F1.K Load Cell Platform Scale, C315.1,5.F1.K Load Cell Platform Scale, C315.150/300.C2.M Load Cell Platform Scale, C315.150.C2.K Load Cell Platform Scale, C315.300.C3.M Load Cell Platform Scale, C315.60/150.C2.M Load Cell Platform Scale, C315.3/6.F1.M Load Cell Platform Scale, C315.6.F1.R Load Cell Platform Scale, C315.30.C2.M Load Cell Platform Scale, C315.15.F1.R Load Cell Platform Scale, C315.3.F1.K Load Cell Platform Scale, C315.30.F1.R Load Cell Platform Scale, C315.15.F1.M Load Cell Platform Scale, C315.3.F1.R Load Cell Platform Scale, C315.150.C2.M Load Cell Platform Scale, C315.60.C2.M Load Cell Platform Scale, C315.60.C3.M Load Cell Platform Scale, C315.15/30.F1.R Load Cell Platform Scale, C315.300.C2.R Load Cell Platform Scale, C315.150/300.C3.M Load Cell Platform Scale, C315.6.F1.K Load Cell Platform Scale, C315.150.C3.K Load Cell Platform Scale, C315.30.C3.K Load Cell Platform Scale, C315.15/30.F1.K Load Cell Platform Scale, C315.300.C2.M Load Cell Platform Scale, C315.60.C2.R Load Cell Platform Scale, C315.15/30.C3.M Load Cell Platform Scale, C315.30/60.C2.K Load Cell Platform Scale, C315.15.C2.M Load Cell Platform Scale, C315.15/30.F1.M Load Cell Platform Scale, C315.30.C2.R Load Cell Platform Scale, C315.15.C3.M Load Cell Platform Scale, C315.150/300.C2.R Load Cell Platform Scale, C315.30/60.C3.M Load Cell Platform Scale, C315.3.F1.M Load Cell Platform Scale, C315.150/300.C2.K Load Cell Platform Scale, C315.30.F1.K Load Cell Platform Scale, C315.6/15.F1.K Load Cell Platform Scale, C315.15/30.C2.M Load Cell Platform Scale, C315.6/15.F1.R Load Cell Platform Scale



More information on the website
radwag.com/en/info,w1,5NE



C315.15/30.C2.R Load Cell Platform Scale
 C315.15.C2.R Load Cell Platform Scale
 C315.60/150.C2.R Load Cell Platform Scale
 C315.30/60.C2.R Load Cell Platform Scale
 C315.150.C2.R Load Cell Platform Scale
 C315.300.C2.R Load Cell Platform Scale
 C315.60.C2.R Load Cell Platform Scale
 C315.30.C2.R Load Cell Platform Scale
 C315.150/300.C2.R Load Cell Platform Scale



C315.30/60.C2.M Load Cell Platform Scale
 C315.30.C3.M Load Cell Platform Scale
 C315.60/150.C3.M Load Cell Platform Scale
 C315.150.C3.M Load Cell Platform Scale
 C315.150/300.C2.M Load Cell Platform Scale
 C315.300.C3.M Load Cell Platform Scale
 C315.60/150.C2.M Load Cell Platform Scale
 C315.30.C2.M Load Cell Platform Scale
 C315.150.C2.M Load Cell Platform Scale
 C315.60.C2.M Load Cell Platform Scale
 C315.60.C3.M Load Cell Platform Scale
 C315.150/300.C3.M Load Cell Platform Scale
 C315.300.C2.M Load Cell Platform Scale
 C315.15/30.C3.M Load Cell Platform Scale
 C315.15.C2.M Load Cell Platform Scale
 C315.15.C3.M Load Cell Platform Scale
 C315.30/60.C3.M Load Cell Platform Scale
 C315.15/30.C2.M Load Cell Platform Scale



C315.6.F1.M Load Cell Platform Scale
 C315.1,5.F1.M Load Cell Platform Scale
 C315.30.F1.M Load Cell Platform Scale
 C315.6/15.F1.M Load Cell Platform Scale
 C315.3/6.F1.M Load Cell Platform Scale
 C315.15.F1.M Load Cell Platform Scale
 C315.15/30.F1.M Load Cell Platform Scale
 C315.3.F1.M Load Cell Platform Scale



C315.150/300.C3.K Load Cell Platform Scale
 C315.30.C2.K Load Cell Platform Scale
 C315.15.C3.K Load Cell Platform Scale
 C315.15/30.C2.K Load Cell Platform Scale
 C315.15/30.C3.K Load Cell Platform Scale
 C315.300.C2.K Load Cell Platform Scale
 C315.60/150.C2.K Load Cell Platform Scale
 C315.15.C2.K Load Cell Platform Scale
 C315.60.C3.K Load Cell Platform Scale
 C315.300.C3.K Load Cell Platform Scale
 C315.30/60.C3.K Load Cell Platform Scale
 C315.60/150.C3.K Load Cell Platform Scale
 C315.60.C2.K Load Cell Platform Scale
 C315.150.C2.K Load Cell Platform Scale
 C315.150.C3.K Load Cell Platform Scale
 C315.30.C3.K Load Cell Platform Scale
 C315.30/60.C2.K Load Cell Platform Scale
 C315.150/300.C2.K Load Cell Platform Scale

C315.3/6.F1.R Load Cell Platform Scale
 C315.1,5.F1.R Load Cell Platform Scale
 C315.6.F1.R Load Cell Platform Scale
 C315.15.F1.R Load Cell Platform Scale
 C315.30.F1.R Load Cell Platform Scale
 C315.3.F1.R Load Cell Platform Scale
 C315.15/30.F1.R Load Cell Platform Scale
 C315.6/15.F1.R Load Cell Platform Scale

C315.3/6.F1.K Load Cell Platform Scale
 C315.15.F1.K Load Cell Platform Scale
 C315.1,5.F1.K Load Cell Platform Scale
 C315.3.F1.K Load Cell Platform Scale
 C315.6.F1.K Load Cell Platform Scale
 C315.15/30.F1.K Load Cell Platform Scale
 C315.30.F1.K Load Cell Platform Scale
 C315.6/15.F1.K Load Cell Platform Scale

The drawings, photos and graphics used are for illustrative purposes only.

Functions



Plus/Minus Control



Percent Weighing



Totalizing



Parts counting



Internal battery



Peak hold



Newton unit measurement



GLP Procedures



Animal weighing



ALIBI Memory

Datasheet

	C315.1,5.F1.R Load Cell Platform Scale	C315.1,5.F1.K Load Cell Platform Scale	C315.1,5.F1.M Load Cell Platform Scale
Metrological parameters			
Maximum capacity [Max]	1,5 kg	1,5 kg	1,5 kg
Minimum load	10 g	10 g	10 g
Readability [d]	0,5 g	0,5 g	0,5 g
Verification unit [e]	0,5 g	0,5 g	0,5 g
Tare range	-1,5 kg	-1,5 kg	-1,5 kg
Max readability for non-verified scale	0,2 g	0,2 g	0,2 g
OIML Class	III	III	III
Physical parameters			
Display	LCD (backlit)	LCD (backlit)	LCD (backlit)
Weighing pan dimensions	300×300 mm	300×300 mm	300×300 mm
Packaging dimensions	570×390×170 mm	570×390×170 mm	570×390×170 mm
Net weight	5,3 kg	5,3 kg	5,3 kg
Gross weight	5,5 kg	5,5 kg	5,5 kg
Construction			
Protection class	IP 65 construction, IP 43 indicator	IP 65 construction, IP 43 indicator	IP 65 construction, IP 43 indicator
Construction	mild steel St3S	mild steel St3S	mild steel St3S
Weighing pan material	Stainless steel AISI304	Stainless steel AISI304	Stainless steel AISI304
Communication interface			
RS232 Interface	1× standard, 1× option	1× standard, 1× option	1× standard, 1× option
Electrical parameters			
Power supply	100 – 240 V AC 50/60 Hz and battery	100 – 240 V AC 50/60 Hz and battery	100 – 240 V AC 50/60 Hz and battery
Power consumption max.	5 W	5 W	5 W
Operation time on batteries	max 8h	max 8h	max 8h
Environmental conditions			
Operating temperature	-10 ÷ +40 °C	-10 ÷ +40 °C	-10 ÷ +40 °C
Storage temperature	-10 ÷ +50 °C	-10 ÷ +50 °C	-10 ÷ +50 °C

Datasheet

	C315.3.F1.R Load Cell Platform Scale	C315.3/6.F1.M Load Cell Platform Scale	C315.3/6.F1.K Load Cell Platform Scale
Metrological parameters			
Maximum capacity [Max]	3 kg	3/6 kg	3/6 kg
Minimum load	20 g	20 g	20 g
Readability [d]	1 g	1/2 g	1/2 g
Verification unit [e]	1 g	1/2 g	1/2 g
Tare range	-3 kg	-6 kg	-6 kg
Max readability for non-verified scale	0,2 g	—	—
OIML Class	III	III	III
Physical parameters			
Display	LCD (backlit)	LCD (backlit)	LCD (backlit)
Weighing pan dimensions	300×300 mm	300×300 mm	300×300 mm
Packaging dimensions	570×390×170 mm	570×390×170 mm	570×390×170 mm
Net weight	5,3 kg	5,3 kg	5,3 kg
Gross weight	5,5 kg	6,6 kg	6,1 kg
Construction			
Protection class	IP 65 construction, IP 43 indicator	IP 65 construction, IP 43 indicator	IP 65 construction, IP 43 indicator
Construction	mild steel St3S	mild steel St3S	mild steel St3S
Weighing pan material	Stainless steel AISI304	Stainless steel AISI304	Stainless steel AISI304
Communication interface			
RS232 Interface	1× standard, 1× option	1× standard, 1× option	1× standard, 1× option
Electrical parameters			
Power supply	100 – 240 V AC 50/60 Hz and battery	100 – 240 V AC 50/60 Hz and battery	100 – 240 V AC 50/60 Hz and battery
Power consumption max.	5 W	5 W	5 W
Operation time on batteries	max 8h	max 8h	max 8h
Environmental conditions			
Operating temperature	-10 ÷ +40 °C	-10 ÷ +40 °C	-10 ÷ +40 °C
Storage temperature	-10 ÷ +50 °C	-10 ÷ +50 °C	-10 ÷ +50 °C

Datasheet

	C315.3/6.F1.R Load Cell Platform Scale	C315.3.F1.M Load Cell Platform Scale	C315.3.F1.K Load Cell Platform Scale
Metrological parameters			
Maximum capacity [Max]	3/6 kg	3 kg	3 kg
Minimum load	20 g	20 g	20 g
Readability [d]	1/2 g	1 g	1 g
Verification unit [e]	1/2 g	1 g	1 g
Tare range	-6 kg	-3 kg	-3 kg
Max readability for non-verified scale	–	0,2 g	0,2 g
OIML Class	III	III	III
Physical parameters			
Display	LCD (backlit)	LCD (backlit)	LCD (backlit)
Weighing pan dimensions	300×300 mm	300×300 mm	300×300 mm
Packaging dimensions	570×390×170 mm	570×390×170 mm	570×390×170 mm
Net weight	5,3 kg	5,3 kg	5,3 kg
Gross weight	6,1 kg	5,5 kg	5,5 kg
Construction			
Protection class	IP 65 construction, IP 43 indicator	IP 65 construction, IP 43 indicator	IP 65 construction, IP 43 indicator
Construction	mild steel St3S	mild steel St3S	mild steel St3S
Weighing pan material	Stainless steel AISI304	Stainless steel AISI304	Stainless steel AISI304
Communication interface			
RS232 Interface	1× standard, 1× option	1× standard, 1× option	1× standard, 1× option
Electrical parameters			
Power supply	100 – 240 V AC 50/60 Hz and battery	100 – 240 V AC 50/60 Hz and battery	100 – 240 V AC 50/60 Hz and battery
Power consumption max.	5 W	5 W	5 W
Operation time on batteries	max 8h	max 8h	max 8h
Environmental conditions			
Operating temperature	-10 ÷ +40 °C	-10 ÷ +40 °C	-10 ÷ +40 °C
Storage temperature	-10 ÷ +50 °C	-10 ÷ +50 °C	-10 ÷ +50 °C

Datasheet

	C315.6/15.F1.K Load Cell Platform Scale	C315.6.F1.K Load Cell Platform Scale	C315.6.F1.M Load Cell Platform Scale
Metrological parameters			
Maximum capacity [Max]	6/15 kg	6 kg	6 kg
Minimum load	40 g	40 g	40 g
Readability [d]	2/5 g	2 g	2 g
Verification unit [e]	2/5 g	2 g	2 g
Tare range	-15 kg	-6 kg	-6 kg
Max readability for non-verified scale	–	0,2 g	0,2 g
OIML Class	III	III	III
Physical parameters			
Display	LCD (backlit)	LCD (backlit)	LCD (backlit)
Weighing pan dimensions	300×300 mm	300×300 mm	300×300 mm
Packaging dimensions	570×390×170 mm	570×390×170 mm	570×390×170 mm
Net weight	5,2 kg	5,2 kg	5 kg
Gross weight	6 kg	5,5 kg	5,5 kg
Construction			
Protection class	IP 65 construction, IP 43 indicator	IP 65 construction, IP 43 indicator	IP 65 construction, IP 43 indicator
Construction	mild steel St3S	mild steel St3S	mild steel St3S
Weighing pan material	Stainless steel AISI304	Stainless steel AISI304	Stainless steel AISI304
Communication interface			
RS232 Interface	1× standard, 1× option	1× standard, 1× option	1× standard, 1× option
Electrical parameters			
Power supply	100 – 240 V AC 50/60 Hz and battery	100 – 240 V AC 50/60 Hz and battery	100 – 240 V AC 50/60 Hz and battery
Power consumption max.	5 W	5 W	5 W
Operation time on batteries	max 8h	max 8h	max 8h
Environmental conditions			
Operating temperature	-10 ÷ +40 °C	-10 ÷ +40 °C	-10 ÷ +40 °C
Storage temperature	-10 ÷ +50 °C	-10 ÷ +50 °C	-10 ÷ +50 °C

Datasheet

	C315.6.F1.R Load Cell Platform Scale	C315.6/15.F1.M Load Cell Platform Scale	C315.6/15.F1.R Load Cell Platform Scale
Metrological parameters			
Maximum capacity [Max]	6 kg	6/15 kg	6/15 kg
Minimum load	40 g	40 g	40 g
Readability [d]	2 g	2/5 g	2/5 g
Verification unit [e]	2 g	2/5 g	2/5 g
Tare range	-6 kg	-15 kg	-15 kg
Max readability for non-verified scale	0,2 g	—	—
OIML Class	III	III	III
Physical parameters			
Display	LCD (backlit)	LCD (backlit)	LCD (backlit)
Weighing pan dimensions	300×300 mm	300×300 mm	300×300 mm
Packaging dimensions	570×390×170 mm	570×390×170 mm	570×390×170 mm
Net weight	5,2 kg	5,3 kg	5,2 kg
Gross weight	5,5 kg	6,6 kg	6 kg
Construction			
Protection class	IP 65 construction, IP 43 indicator	IP 65 construction, IP 43 indicator	IP 65 construction, IP 43 indicator
Construction	mild steel St3S	mild steel St3S	mild steel St3S
Weighing pan material	Stainless steel AISI304	Stainless steel AISI304	Stainless steel AISI304
Communication interface			
RS232 Interface	1× standard, 1× option	1× standard, 1× option	1× standard, 1× option
Electrical parameters			
Power supply	100 – 240 V AC 50/60 Hz and battery	100 – 240 V AC 50/60 Hz and battery	100 – 240 V AC 50/60 Hz and battery
Power consumption max.	5 W	5 W	5 W
Operation time on batteries	max 8h	max 8h	max 8h
Environmental conditions			
Operating temperature	-10 ÷ +40 °C	-10 ÷ +40 °C	-10 ÷ +40 °C
Storage temperature	-10 ÷ +50 °C	-10 ÷ +50 °C	-10 ÷ +50 °C

Datasheet

	C315.15.C2.M Load Cell Platform Scale	C315.15/30.C3.K Load Cell Platform Scale	C315.15.C2.K Load Cell Platform Scale
Metrological parameters			
Maximum capacity [Max]	15 kg	15/30 kg	15 kg
Minimum load	100 g	100 g	100 g
Readability [d]	5 g	5/10 g	5 g
Verification unit [e]	5 g	5/10 g	5 g
Tare range	-15 kg	-30 kg	-15 kg
Max readability for non-verified scale	1 g	—	1 g
OIML Class	III	III	III
Physical parameters			
Display	LCD (backlit)	LCD (backlit)	LCD (backlit)
Weighing pan dimensions	400×500 mm	500×700 mm	400×500 mm
Packaging dimensions	720×620×210 mm	730×800×270 mm	720×620×210 mm
Net weight	12,8 kg	20,5 kg	12,5 kg
Gross weight	14,5 kg	26,8 kg	13,5 kg
Construction			
Protection class	IP 65 construction, IP 43 indicator	IP 65 construction, IP 43 indicator	IP 65 construction, IP 43 indicator
Construction	mild steel St3S	mild steel St3S	mild steel St3S
Weighing pan material	Stainless steel AISI304	Stainless steel AISI304	Stainless steel AISI304
Communication interface			
RS232 Interface	1× standard, 1× option	1× standard, 1× option	1× standard, 1× option
Electrical parameters			
Power supply	100 – 240 V AC 50/60 Hz and battery	100 – 240 V AC 50/60 Hz and battery	100 – 240 V AC 50/60 Hz and battery
Power consumption max.	5 W	5 W	5 W
Operation time on batteries	max 8h	max 8h	max 8h
Environmental conditions			
Operating temperature	-10 ÷ +40 °C	-10 ÷ +40 °C	-10 ÷ +40 °C
Storage temperature	-10 ÷ +50 °C	-10 ÷ +50 °C	-10 ÷ +50 °C

Datasheet

	C315.15/30.F1.M Load Cell Platform Scale	C315.15/30.F1.R Load Cell Platform Scale	C315.15.F1.K Load Cell Platform Scale
Metrological parameters			
Maximum capacity [Max]	15/30 kg	15/30 kg	15 kg
Minimum load	100 g	100 g	100 g
Readability [d]	5/10 g	5/10 g	5 g
Verification unit [e]	5/10 g	5/10 g	5 g
Tare range	-30 kg	-30 kg	-15 kg
Max readability for non-verified scale	—	—	0,5 g
OIML Class	III	III	III
Physical parameters			
Display	LCD (backlit)	LCD (backlit)	LCD (backlit)
Weighing pan dimensions	300×300 mm	300×300 mm	300×300 mm
Packaging dimensions	570×390×170 mm	570×390×170 mm	570×390×170 mm
Net weight	5,3 kg	5,2 kg	5,2 kg
Gross weight	6,6 kg	6 kg	5,5 kg
Construction			
Protection class	IP 65 construction, IP 43 indicator	IP 65 construction, IP 43 indicator	IP 65 construction, IP 43 indicator
Construction	mild steel St3S	mild steel St3S	mild steel St3S
Weighing pan material	Stainless steel AISI304	Stainless steel AISI304	Stainless steel AISI304
Communication interface			
RS232 Interface	1× standard, 1× option	1× standard, 1× option	1× standard, 1× option
Electrical parameters			
Power supply	100 – 240 V AC 50/60 Hz and battery	100 – 240 V AC 50/60 Hz and battery	100 – 240 V AC 50/60 Hz and battery
Power consumption max.	5 W	5 W	5 W
Operation time on batteries	max 8h	max 8h	max 8h
Environmental conditions			
Operating temperature	-10 ÷ +40 °C	-10 ÷ +40 °C	-10 ÷ +40 °C
Storage temperature	-10 ÷ +50 °C	-10 ÷ +50 °C	-10 ÷ +50 °C

Datasheet

	C315.15.C3.M Load Cell Platform Scale	C315.15/30.F1.K Load Cell Platform Scale	C315.15.F1.M Load Cell Platform Scale
Metrological parameters			
Maximum capacity [Max]	15 kg	15/30 kg	15 kg
Minimum load	100 g	100 g	100 g
Readability [d]	5 g	5/10 g	5 g
Verification unit [e]	5 g	5/10 g	5 g
Tare range	-15 kg	-30 kg	-15 kg
Max readability for non-verified scale	1 g	—	0,5 g
OIML Class	III	III	III
Physical parameters			
Display	LCD (backlit)	LCD (backlit)	LCD (backlit)
Weighing pan dimensions	500×700 mm	300×300 mm	300×300 mm
Packaging dimensions	730×800×270 mm	570×390×170 mm	570×390×170 mm
Net weight	23,4 kg	5,2 kg	5,3 kg
Gross weight	27,2 kg	6 kg	5,5 kg
Construction			
Protection class	IP 65 construction, IP 43 indicator	IP 65 construction, IP 43 indicator	IP 65 construction, IP 43 indicator
Construction	mild steel St3S	mild steel St3S	mild steel St3S
Weighing pan material	Stainless steel AISI304	Stainless steel AISI304	Stainless steel AISI304
Communication interface			
RS232 Interface	1× standard, 1× option	1× standard, 1× option	1× standard, 1× option
Electrical parameters			
Power supply	100 – 240 V AC 50/60 Hz and battery	100 – 240 V AC 50/60 Hz and battery	100 – 240 V AC 50/60 Hz and battery
Power consumption max.	5 W	5 W	5 W
Operation time on batteries	max 8h	max 8h	max 8h
Environmental conditions			
Operating temperature	-10 ÷ +40 °C	-10 ÷ +40 °C	-10 ÷ +40 °C
Storage temperature	-10 ÷ +50 °C	-10 ÷ +50 °C	-10 ÷ +50 °C

Datasheet

	C315.15/30.C2.R Load Cell Platform Scale	C315.15.F1.R Load Cell Platform Scale	C315.15/30.C2.M Load Cell Platform Scale
Metrological parameters			
Maximum capacity [Max]	15/30 kg	15 kg	15/30 kg
Minimum load	100 g	100 g	100 g
Readability [d]	5/10 g	5 g	5/10 g
Verification unit [e]	5/10 g	5 g	5/10 g
Tare range	-30 kg	-15 kg	-30 kg
Max readability for non-verified scale	–	0,5 g	–
OIML Class	III	III	III
Physical parameters			
Display	LCD (backlit)	LCD (backlit)	LCD (backlit)
Weighing pan dimensions	400×500 mm	300×300 mm	400×500 mm
Packaging dimensions	720×620×210 mm	570×390×170 mm	720×620×210 mm
Net weight	12,5 kg	5,2 kg	12,8 kg
Gross weight	15 kg	5,5 kg	14,8 kg
Construction			
Protection class	IP 65 construction, IP 43 indicator	IP 65 construction, IP 43 indicator	IP 65 construction, IP 43 indicator
Construction	mild steel St3S	mild steel St3S	mild steel St3S
Weighing pan material	Stainless steel AISI304	Stainless steel AISI304	Stainless steel AISI304
Communication interface			
RS232 Interface	1× standard, 1× option	1× standard, 1× option	1× standard, 1× option
Electrical parameters			
Power supply	100 – 240 V AC 50/60 Hz and battery	100 – 240 V AC 50/60 Hz and battery	100 – 240 V AC 50/60 Hz and battery
Power consumption max.	5 W	5 W	5 W
Operation time on batteries	max 8h	max 8h	max 8h
Environmental conditions			
Operating temperature	-10 ÷ +40 °C	-10 ÷ +40 °C	-10 ÷ +40 °C
Storage temperature	-10 ÷ +50 °C	-10 ÷ +50 °C	-10 ÷ +50 °C

Datasheet

	C315.15.C3.K Load Cell Platform Scale	C315.15/30.C2.K Load Cell Platform Scale	C315.15.C2.R Load Cell Platform Scale
Metrological parameters			
Maximum capacity [Max]	15 kg	15/30 kg	15 kg
Minimum load	100 g	100 g	100 g
Readability [d]	5 g	5/10 g	5 g
Verification unit [e]	5 g	5/10 g	5 g
Tare range	-15 kg	-30 kg	-15 kg
Max readability for non-verified scale	1 g	—	1 g
OIML Class	III	III	III
Physical parameters			
Display	LCD (backlit)	LCD (backlit)	LCD (backlit)
Weighing pan dimensions	500×700 mm	400×500 mm	400×500 mm
Packaging dimensions	730×800×270 mm	720×620×210 mm	720×620×210 mm
Net weight	20,5 kg	12,5 kg	12,5 kg
Gross weight	26,8 kg	15 kg	13,5 kg
Construction			
Protection class	IP 65 construction, IP 43 indicator	IP 65 construction, IP 43 indicator	IP 65 construction, IP 43 indicator
Construction	mild steel St3S	mild steel St3S	mild steel St3S
Weighing pan material	Stainless steel AISI304	Stainless steel AISI304	Stainless steel AISI304
Communication interface			
RS232 Interface	1× standard, 1× option	1× standard, 1× option	1× standard, 1× option
Electrical parameters			
Power supply	100 – 240 V AC 50/60 Hz and battery	100 – 240 V AC 50/60 Hz and battery	100 – 240 V AC 50/60 Hz and battery
Power consumption max.	5 W	5 W	5 W
Operation time on batteries	max 8h	max 8h	max 8h
Environmental conditions			
Operating temperature	-10 ÷ +40 °C	-10 ÷ +40 °C	-10 ÷ +40 °C
Storage temperature	-10 ÷ +50 °C	-10 ÷ +50 °C	-10 ÷ +50 °C

Datasheet

	C315.15/30.C3.M Load Cell Platform Scale	C315.30/60.C2.M Load Cell Platform Scale	C315.30.C3.M Load Cell Platform Scale
Metrological parameters			
Maximum capacity [Max]	15/30 kg	30/60 kg	30 kg
Minimum load	100 g	200 g	200 g
Readability [d]	5/10 g	10/20 g	10 g
Verification unit [e]	5/10 g	10/20 g	10 g
Tare range	-30 kg	-60 kg	-30 kg
Max readability for non-verified scale	—	—	1 g
OIML Class	III	III	III
Physical parameters			
Display	LCD (backlit)	LCD (backlit)	LCD (backlit)
Weighing pan dimensions	500×700 mm	400×500 mm	500×700 mm
Packaging dimensions	730×800×270 mm	720×620×210 mm	730×800×270 mm
Net weight	23,4 kg	12,8 kg	23,4 kg
Gross weight	27,2 kg	14,8 kg	27,2 kg
Construction			
Protection class	IP 65 construction, IP 43 indicator	IP 65 construction, IP 43 indicator	IP 65 construction, IP 43 indicator
Construction	mild steel St3S	mild steel St3S	mild steel St3S
Weighing pan material	Stainless steel AISI304	Stainless steel AISI304	Stainless steel AISI304
Communication interface			
RS232 Interface	1× standard, 1× option	1× standard, 1× option	1× standard, 1× option
Electrical parameters			
Power supply	100 – 240 V AC 50/60 Hz and battery	100 – 240 V AC 50/60 Hz and battery	100 – 240 V AC 50/60 Hz and battery
Power consumption max.	5 W	5 W	5 W
Operation time on batteries	max 8h	max 8h	max 8h
Environmental conditions			
Operating temperature	-10 ÷ +40 °C	-10 ÷ +40 °C	-10 ÷ +40 °C
Storage temperature	-10 ÷ +50 °C	-10 ÷ +50 °C	-10 ÷ +50 °C

Datasheet

	C315.30/60.C2.R Load Cell Platform Scale	C315.30/60.C2.K Load Cell Platform Scale	C315.30.F1.K Load Cell Platform Scale
Metrological parameters			
Maximum capacity [Max]	30/60 kg	30/60 kg	30 kg
Minimum load	200 g	200 g	200 g
Readability [d]	10/20 g	10/20 g	10 g
Verification unit [e]	10/20 g	10/20 g	10 g
Tare range	-60 kg	-60 kg	-30 kg
Max readability for non-verified scale	—	—	1 g
OIML Class	III	III	III
Physical parameters			
Display	LCD (backlit)	LCD (backlit)	LCD (backlit)
Weighing pan dimensions	400×500 mm	400×500 mm	300×300 mm
Packaging dimensions	720×620×210 mm	720×620×210 mm	570×390×170 mm
Net weight	12,5 kg	12,5 kg	5,2 kg
Gross weight	15 kg	15 kg	6,5 kg
Construction			
Protection class	IP 65 construction, IP 43 indicator	IP 65 construction, IP 43 indicator	IP 65 construction, IP 43 indicator
Construction	mild steel St3S	mild steel St3S	mild steel St3S
Weighing pan material	Stainless steel AISI304	Stainless steel AISI304	Stainless steel AISI304
Communication interface			
RS232 Interface	1× standard, 1× option	1× standard, 1× option	1× standard, 1× option
Electrical parameters			
Power supply	100 – 240 V AC 50/60 Hz and battery	100 – 240 V AC 50/60 Hz and battery	100 – 240 V AC 50/60 Hz and battery
Power consumption max.	5 W	5 W	5 W
Operation time on batteries	max 8h	max 8h	max 8h
Environmental conditions			
Operating temperature	-10 ÷ +40 °C	-10 ÷ +40 °C	-10 ÷ +40 °C
Storage temperature	-10 ÷ +50 °C	-10 ÷ +50 °C	-10 ÷ +50 °C

Datasheet

	C315.30/60.C3.M Load Cell Platform Scale	C315.30.F1.M Load Cell Platform Scale	C315.30.C2.K Load Cell Platform Scale
Metrological parameters			
Maximum capacity [Max]	30/60 kg	30 kg	30 kg
Minimum load	200 g	200 g	200 g
Readability [d]	10/20 g	10 g	10 g
Verification unit [e]	10/20 g	10 g	10 g
Tare range	-60 kg	-30 kg	-30 kg
Max readability for non-verified scale	–	1 g	1 g
OIML Class	III	III	III
Physical parameters			
Display	LCD (backlit)	LCD (backlit)	LCD (backlit)
Weighing pan dimensions	500×700 mm	300×300 mm	400×500 mm
Packaging dimensions	730×800×270 mm	570×390×170 mm	720×620×210 mm
Net weight	23,4 kg	5,3 kg	12,5 kg
Gross weight	27,2 kg	6,5 kg	13,5 kg
Construction			
Protection class	IP 65 construction, IP 43 indicator	IP 65 construction, IP 43 indicator	IP 65 construction, IP 43 indicator
Construction	mild steel St3S	mild steel St3S	mild steel St3S
Weighing pan material	Stainless steel AISI304	Stainless steel AISI304	Stainless steel AISI304
Communication interface			
RS232 Interface	1× standard, 1× option	1× standard, 1× option	1× standard, 1× option
Electrical parameters			
Power supply	100 – 240 V AC 50/60 Hz and battery	100 – 240 V AC 50/60 Hz and battery	100 – 240 V AC 50/60 Hz and battery
Power consumption max.	5 W	5 W	5 W
Operation time on batteries	max 8h	max 8h	max 8h
Environmental conditions			
Operating temperature	-10 ÷ +40 °C	-10 ÷ +40 °C	-10 ÷ +40 °C
Storage temperature	-10 ÷ +50 °C	-10 ÷ +50 °C	-10 ÷ +50 °C

Datasheet

	C315.30.C3.K Load Cell Platform Scale	C315.30/60.C3.K Load Cell Platform Scale	C315.30.C2.M Load Cell Platform Scale
Metrological parameters			
Maximum capacity [Max]	30 kg	30/60 kg	30 kg
Minimum load	200 g	200 g	200 g
Readability [d]	10 g	10/20 g	10 g
Verification unit [e]	10 g	10/20 g	10 g
Tare range	-30 kg	-60 kg	-30 kg
Max readability for non-verified scale	1 g	—	1 g
OIML Class	III	III	III
Physical parameters			
Display	LCD (backlit)	LCD (backlit)	LCD (backlit)
Weighing pan dimensions	500×700 mm	500×700 mm	400×500 mm
Packaging dimensions	730×800×270 mm	730×800×270 mm	720×620×210 mm
Net weight	20,5 kg	20,5 kg	12,8 kg
Gross weight	27 kg	26,8 kg	14,8 kg
Construction			
Protection class	IP 65 construction, IP 43 indicator	IP 65 construction, IP 43 indicator	IP 65 construction, IP 43 indicator
Construction	mild steel St3S	mild steel St3S	mild steel St3S
Weighing pan material	Stainless steel AISI304	Stainless steel AISI304	Stainless steel AISI304
Communication interface			
RS232 Interface	1× standard, 1× option	1× standard, 1× option	1× standard, 1× option
Electrical parameters			
Power supply	100 – 240 V AC 50/60 Hz and battery	100 – 240 V AC 50/60 Hz and battery	100 – 240 V AC 50/60 Hz and battery
Power consumption max.	5 W	5 W	5 W
Operation time on batteries	max 8h	max 8h	max 8h
Environmental conditions			
Operating temperature	-10 ÷ +40 °C	-10 ÷ +40 °C	-10 ÷ +40 °C
Storage temperature	-10 ÷ +50 °C	-10 ÷ +50 °C	-10 ÷ +50 °C

Datasheet

	C315.30.F1.R Load Cell Platform Scale	C315.30.C2.R Load Cell Platform Scale	C315.60.C2.R Load Cell Platform Scale
Metrological parameters			
Maximum capacity [Max]	30 kg	30 kg	60 kg
Minimum load	200 g	200 g	400 g
Readability [d]	10 g	10 g	20 g
Verification unit [e]	10 g	10 g	20 g
Tare range	-30 kg	-30 kg	-60 kg
Max readability for non-verified scale	1 g	1 g	2 g
OIML Class	III	III	III
Physical parameters			
Display	LCD (backlit)	LCD (backlit)	LCD (backlit)
Weighing pan dimensions	300×300 mm	400×500 mm	400×500 mm
Packaging dimensions	570×390×170 mm	720×620×210 mm	720×620×210 mm
Net weight	5,2 kg	12,5 kg	12,5 kg
Gross weight	6,5 kg	13,5 kg	13,5 kg
Construction			
Protection class	IP 65 construction, IP 43 indicator	IP 65 construction, IP 43 indicator	IP 65 construction, IP 43 indicator
Construction	mild steel St3S	mild steel St3S	mild steel St3S
Weighing pan material	Stainless steel AISI304	Stainless steel AISI304	Stainless steel AISI304
Communication interface			
RS232 Interface	1× standard, 1× option	1× standard, 1× option	1× standard, 1× option
Electrical parameters			
Power supply	100 – 240 V AC 50/60 Hz and battery	100 – 240 V AC 50/60 Hz and battery	100 – 240 V AC 50/60 Hz and battery
Power consumption max.	5 W	5 W	5 W
Operation time on batteries	max 8h	max 8h	max 8h
Environmental conditions			
Operating temperature	-10 ÷ +40 °C	-10 ÷ +40 °C	-10 ÷ +40 °C
Storage temperature	-10 ÷ +50 °C	-10 ÷ +50 °C	-10 ÷ +50 °C

Datasheet

	C315.60/150.C2.K Load Cell Platform Scale	C315.60.C3.M Load Cell Platform Scale	C315.60/150.C3.M Load Cell Platform Scale
Metrological parameters			
Maximum capacity [Max]	60/150 kg	60 kg	60/150 kg
Minimum load	400 g	400 g	400 g
Readability [d]	20/50 g	20 g	20/50 g
Verification unit [e]	20/50 g	20 g	20/50 g
Tare range	-150 kg	-60 kg	-150 kg
Max readability for non-verified scale	–	2 g	–
OIML Class	III	III	III
Physical parameters			
Display	LCD (backlit)	LCD (backlit)	LCD (backlit)
Weighing pan dimensions	400×500 mm	500×700 mm	500×700 mm
Packaging dimensions	720×620×210 mm	730×800×270 mm	730×800×270 mm
Net weight	12,5 kg	23,4 kg	23,4 kg
Gross weight	15 kg	27,2 kg	27,2 kg
Construction			
Protection class	IP 65 construction, IP 43 indicator	IP 65 construction, IP 43 indicator	IP 65 construction, IP 43 indicator
Construction	mild steel St3S	mild steel St3S	mild steel St3S
Weighing pan material	Stainless steel AISI304	Stainless steel AISI304	Stainless steel AISI304
Communication interface			
RS232 Interface	1× standard, 1× option	1× standard, 1× option	1× standard, 1× option
Electrical parameters			
Power supply	100 – 240 V AC 50/60 Hz and battery	100 – 240 V AC 50/60 Hz and battery	100 – 240 V AC 50/60 Hz and battery
Power consumption max.	5 W	5 W	5 W
Operation time on batteries	max 8h	max 8h	max 8h
Environmental conditions			
Operating temperature	-10 ÷ +40 °C	-10 ÷ +40 °C	-10 ÷ +40 °C
Storage temperature	-10 ÷ +50 °C	-10 ÷ +50 °C	-10 ÷ +50 °C

Datasheet

	C315.60/150.C3.K Load Cell Platform Scale	C315.60.C3.K Load Cell Platform Scale	C315.60.C2.K Load Cell Platform Scale
Metrological parameters			
Maximum capacity [Max]	60/150 kg	60 kg	60 kg
Minimum load	400 g	400 g	400 g
Readability [d]	20/50 g	20 g	20 g
Verification unit [e]	20/50 g	20 g	20 g
Tare range	-150 kg	-60 kg	-60 kg
Max readability for non-verified scale	–	2 g	2 g
OIML Class	III	III	III
Physical parameters			
Display	LCD (backlit)	LCD (backlit)	LCD (backlit)
Weighing pan dimensions	500×700 mm	500×700 mm	400×500 mm
Packaging dimensions	730×800×270 mm	730×800×270 mm	720×620×210 mm
Net weight	20,5 kg	20,5 kg	12,5 kg
Gross weight	26,8 kg	26,8 kg	13,5 kg
Construction			
Protection class	IP 65 construction, IP 43 indicator	IP 65 construction, IP 43 indicator	IP 65 construction, IP 43 indicator
Construction	mild steel St3S	mild steel St3S	mild steel St3S
Weighing pan material	Stainless steel AISI304	Stainless steel AISI304	Stainless steel AISI304
Communication interface			
RS232 Interface	1× standard, 1× option	1× standard, 1× option	1× standard, 1× option
Electrical parameters			
Power supply	100 – 240 V AC 50/60 Hz and battery	100 – 240 V AC 50/60 Hz and battery	100 – 240 V AC 50/60 Hz and battery
Power consumption max.	5 W	5 W	5 W
Operation time on batteries	max 8h	max 8h	max 8h
Environmental conditions			
Operating temperature	-10 ÷ +40 °C	-10 ÷ +40 °C	-10 ÷ +40 °C
Storage temperature	-10 ÷ +50 °C	-10 ÷ +50 °C	-10 ÷ +50 °C

Datasheet

	C315.60/150.C2.M Load Cell Platform Scale	C315.60.C2.M Load Cell Platform Scale	C315.60/150.C2.R Load Cell Platform Scale
Metrological parameters			
Maximum capacity [Max]	60/150 kg	60 kg	60/150 kg
Minimum load	400 g	400 g	400 g
Readability [d]	20/50 g	20 g	20/50 g
Verification unit [e]	20/50 g	20 g	20/50 g
Tare range	-150 kg	-60 kg	-150 kg
Max readability for non-verified scale	–	2 g	–
OIML Class	III	III	III
Physical parameters			
Display	LCD (backlit)	LCD (backlit)	LCD (backlit)
Weighing pan dimensions	400×500 mm	400×500 mm	400×500 mm
Packaging dimensions	720×620×210 mm	720×620×210 mm	720×620×210 mm
Net weight	12,8 kg	12,8 kg	12,5 kg
Gross weight	14,8 kg	15 kg	15 kg
Construction			
Protection class	IP 65 construction, IP 43 indicator	IP 65 construction, IP 43 indicator	IP 65 construction, IP 43 indicator
Construction	mild steel St3S	mild steel St3S	mild steel St3S
Weighing pan material	Stainless steel AISI304	Stainless steel AISI304	Stainless steel AISI304
Communication interface			
RS232 Interface	1× standard, 1× option	1× standard, 1× option	1× standard, 1× option
Electrical parameters			
Power supply	100 – 240 V AC 50/60 Hz and battery	100 – 240 V AC 50/60 Hz and battery	100 – 240 V AC 50/60 Hz and battery
Power consumption max.	5 W	5 W	5 W
Operation time on batteries	max 8h	max 8h	max 8h
Environmental conditions			
Operating temperature	-10 ÷ +40 °C	-10 ÷ +40 °C	-10 ÷ +40 °C
Storage temperature	-10 ÷ +50 °C	-10 ÷ +50 °C	-10 ÷ +50 °C

Datasheet

	C315.150.C2.M Load Cell Platform Scale	C315.150.C2.R Load Cell Platform Scale	C315.150.C3.K Load Cell Platform Scale
Metrological parameters			
Maximum capacity [Max]	150 kg	150 kg	150 kg
Minimum load	1 kg	1 kg	1 kg
Readability [d]	50 g	50 g	50 g
Verification unit [e]	50 g	50 g	50 g
Tare range	-150 kg	-150 kg	-150 kg
Max readability for non-verified scale	5 g	5 g	5 g
OIML Class	III	III	III
Physical parameters			
Display	LCD (backlit)	LCD (backlit)	LCD (backlit)
Weighing pan dimensions	400×500 mm	400×500 mm	500×700 mm
Packaging dimensions	720×620×210 mm	720×620×210 mm	730×800×270 mm
Net weight	12,8 kg	12,5 kg	20,5 kg
Gross weight	15,5 kg	15 kg	27 kg
Construction			
Protection class	IP 65 construction, IP 43 indicator	IP 65 construction, IP 43 indicator	IP 65 construction, IP 43 indicator
Construction	mild steel St3S	mild steel St3S	mild steel St3S
Weighing pan material	Stainless steel AISI304	Stainless steel AISI304	Stainless steel AISI304
Communication interface			
RS232 Interface	1× standard, 1× option	1× standard, 1× option	1× standard, 1× option
Electrical parameters			
Power supply	100 – 240 V AC 50/60 Hz and battery	100 – 240 V AC 50/60 Hz and battery	100 – 240 V AC 50/60 Hz and battery
Power consumption max.	5 W	5 W	5 W
Operation time on batteries	max 8h	max 8h	max 8h
Environmental conditions			
Operating temperature	-10 ÷ +40 °C	-10 ÷ +40 °C	-10 ÷ +40 °C
Storage temperature	-10 ÷ +50 °C	-10 ÷ +50 °C	-10 ÷ +50 °C

Datasheet

	C315.150.C3.M Load Cell Platform Scale	C315.150/300.C2.M Load Cell Platform Scale	C315.150/300.C3.M Load Cell Platform Scale
Metrological parameters			
Maximum capacity [Max]	150 kg	150/300 kg	150/300 kg
Minimum load	1 kg	1 kg	1 kg
Readability [d]	50 g	50/100 g	50/100 g
Verification unit [e]	50 g	50/100 g	50/100 g
Tare range	-150 kg	-300 kg	-300 kg
Max readability for non-verified scale	5 g	—	—
OIML Class	III	III	III
Physical parameters			
Display	LCD (backlit)	LCD (backlit)	LCD (backlit)
Weighing pan dimensions	500×700 mm	400×500 mm	500×700 mm
Packaging dimensions	730×800×270 mm	720×620×210 mm	730×800×270 mm
Net weight	23,4 kg	12,8 kg	23,4 kg
Gross weight	26 kg	15,5 kg	27,2 kg
Construction			
Protection class	IP 65 construction, IP 43 indicator	IP 65 construction, IP 43 indicator	IP 65 construction, IP 43 indicator
Construction	mild steel St3S	mild steel St3S	mild steel St3S
Weighing pan material	Stainless steel AISI304	Stainless steel AISI304	Stainless steel AISI304
Communication interface			
RS232 Interface	1× standard, 1× option	1× standard, 1× option	1× standard, 1× option
Electrical parameters			
Power supply	100 – 240 V AC 50/60 Hz and battery	100 – 240 V AC 50/60 Hz and battery	100 – 240 V AC 50/60 Hz and battery
Power consumption max.	5 W	5 W	5 W
Operation time on batteries	max 8h	max 8h	max 8h
Environmental conditions			
Operating temperature	-10 ÷ +40 °C	-10 ÷ +40 °C	-10 ÷ +40 °C
Storage temperature	-10 ÷ +50 °C	-10 ÷ +50 °C	-10 ÷ +50 °C

Datasheet

	C315.150/300.C2.R Load Cell Platform Scale	C315.150/300.C2.K Load Cell Platform Scale	C315.150.C2.K Load Cell Platform Scale
Metrological parameters			
Maximum capacity [Max]	150/300 kg	150/300 kg	150 kg
Minimum load	1 kg	1 kg	1 kg
Readability [d]	50/100 g	50/100 g	50 g
Verification unit [e]	50/100 g	50/100 g	50 g
Tare range	-300 kg	-300 kg	-150 kg
Max readability for non-verified scale	—	—	5 g
OIML Class	III	III	III
Physical parameters			
Display	LCD (backlit)	LCD (backlit)	LCD (backlit)
Weighing pan dimensions	400×500 mm	400×500 mm	400×500 mm
Packaging dimensions	720×620×210 mm	720×620×210 mm	720×620×210 mm
Net weight	12,5 kg	12,5 kg	12,5 kg
Gross weight	15 kg	15 kg	15 kg
Construction			
Protection class	IP 65 construction, IP 43 indicator	IP 65 construction, IP 43 indicator	IP 65 construction, IP 43 indicator
Construction	mild steel St3S	mild steel St3S	mild steel St3S
Weighing pan material	Stainless steel AISI304	Stainless steel AISI304	Stainless steel AISI304
Communication interface			
RS232 Interface	1× standard, 1× option	1× standard, 1× option	1× standard, 1× option
Electrical parameters			
Power supply	100 – 240 V AC 50/60 Hz and battery	100 – 240 V AC 50/60 Hz and battery	100 – 240 V AC 50/60 Hz and battery
Power consumption max.	5 W	5 W	5 W
Operation time on batteries	max 8h	max 8h	max 8h
Environmental conditions			
Operating temperature	-10 ÷ +40 °C	-10 ÷ +40 °C	-10 ÷ +40 °C
Storage temperature	-10 ÷ +50 °C	-10 ÷ +50 °C	-10 ÷ +50 °C

Datasheet

	C315.150/300.C3.K Load Cell Platform Scale	C315.300.C2.K Load Cell Platform Scale	C315.300.C2.M Load Cell Platform Scale
Metrological parameters			
Maximum capacity [Max]	150/300 kg	300 kg	300 kg
Minimum load	1 kg	2 kg	2 kg
Readability [d]	50/100 g	100 g	100 g
Verification unit [e]	50/100 g	100 g	100 g
Tare range	-300 kg	-300 kg	-300 kg
Max readability for non-verified scale	–	10 g	10 g
OIML Class	III	III	III
Physical parameters			
Display	LCD (backlit)	LCD (backlit)	LCD (backlit)
Weighing pan dimensions	500×700 mm	400×500 mm	400×500 mm
Packaging dimensions	730×800×270 mm	720×620×210 mm	720×620×210 mm
Net weight	20,5 kg	12,5 kg	12,8 kg
Gross weight	26,8 kg	13 kg	16 kg
Construction			
Protection class	IP 65 construction, IP 43 indicator	IP 65 construction, IP 43 indicator	IP 65 construction, IP 43 indicator
Construction	mild steel St3S	mild steel St3S	mild steel St3S
Weighing pan material	Stainless steel AISI304	Stainless steel AISI304	Stainless steel AISI304
Communication interface			
RS232 Interface	1× standard, 1× option	1× standard, 1× option	1× standard, 1× option
Electrical parameters			
Power supply	100 – 240 V AC 50/60 Hz and battery	100 – 240 V AC 50/60 Hz and battery	100 – 240 V AC 50/60 Hz and battery
Power consumption max.	5 W	5 W	5 W
Operation time on batteries	max 8h	max 8h	max 8h
Environmental conditions			
Operating temperature	-10 ÷ +40 °C	-10 ÷ +40 °C	-10 ÷ +40 °C
Storage temperature	-10 ÷ +50 °C	-10 ÷ +50 °C	-10 ÷ +50 °C

Datasheet

	C315.300.C3.K Load Cell Platform Scale	C315.300.C2.R Load Cell Platform Scale	C315.300.C3.M Load Cell Platform Scale
Metrological parameters			
Maximum capacity [Max]	300 kg	300 kg	300 kg
Minimum load	2 kg	2 kg	2 kg
Readability [d]	100 g	100 g	100 g
Verification unit [e]	100 g	100 g	100 g
Tare range	-300 kg	-300 kg	-300 kg
Max readability for non-verified scale	10 g	10 g	10 g
OIML Class	III	III	III
Physical parameters			
Display	LCD (backlit)	LCD (backlit)	LCD (backlit)
Weighing pan dimensions	500×700 mm	400×500 mm	500×700 mm
Packaging dimensions	730×800×270 mm	720×620×210 mm	730×800×270 mm
Net weight	20,5 kg	12,5 kg	23,4 kg
Gross weight	27 kg	13,5 kg	27,2 kg
Construction			
Protection class	IP 65 construction, IP 43 indicator	IP 65 construction, IP 43 indicator	IP 65 construction, IP 43 indicator
Construction	mild steel St3S	mild steel St3S	mild steel St3S
Weighing pan material	Stainless steel AISI304	Stainless steel AISI304	Stainless steel AISI304
Communication interface			
RS232 Interface	1× standard, 1× option	1× standard, 1× option	1× standard, 1× option
Electrical parameters			
Power supply	100 – 240 V AC 50/60 Hz and battery	100 – 240 V AC 50/60 Hz and battery	100 – 240 V AC 50/60 Hz and battery
Power consumption max.	5 W	5 W	5 W
Operation time on batteries	max 8h	max 8h	max 8h
Environmental conditions			
Operating temperature	-10 ÷ +40 °C	-10 ÷ +40 °C	-10 ÷ +40 °C
Storage temperature	-10 ÷ +50 °C	-10 ÷ +50 °C	-10 ÷ +50 °C



Extra payment for verification



Accessories

Antivibration Tables
 Power Adapters
 RS 232 cables (scale - printer)
 Stands, wall mounting kits and mounting brackets
 Cigarette lighter receptacle power supply cables
 Displays
 Displays
 RS 232, RS 485 cables

RS 232 – Ethernet Converter
 AP2-1 Current Loop Unit
 RS 232, RS 485 cables
 RS 232 – USB Converter
 RS 232 cables (scale - printer)
 RS 232 – RS 485 Converter
 Receipt Printer

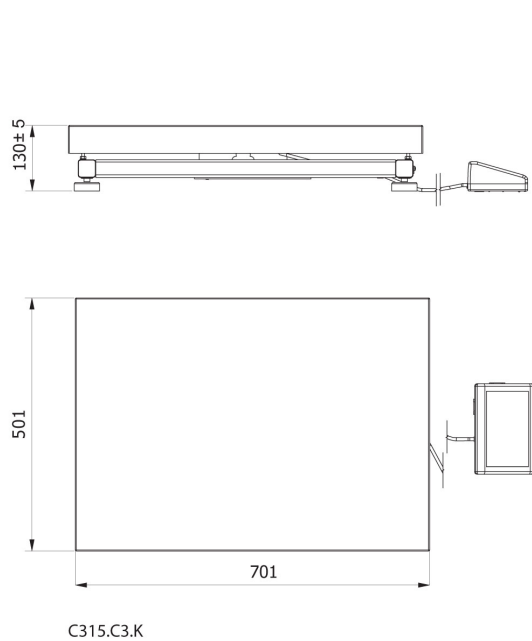
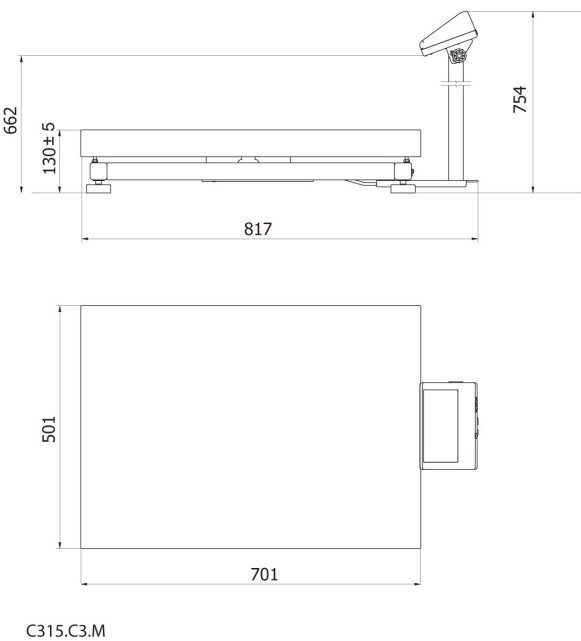
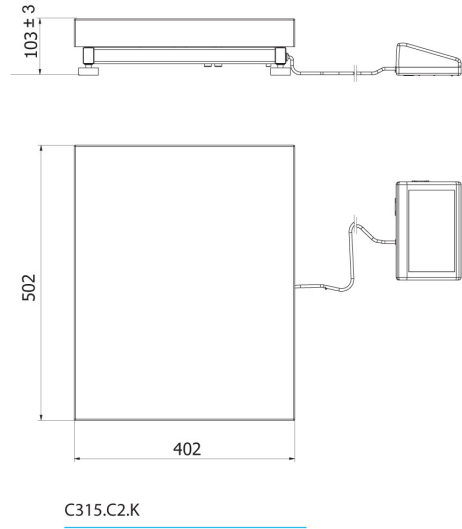
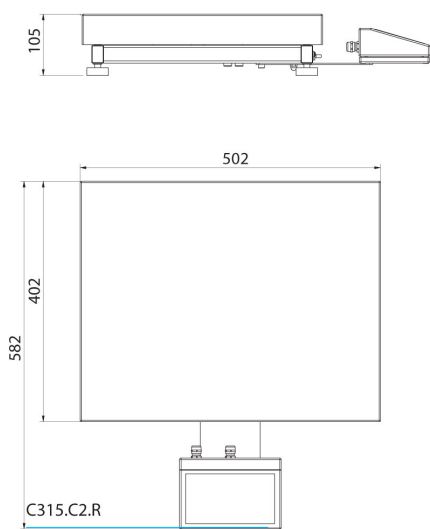
Software

RAD-KEY
 R-LAB

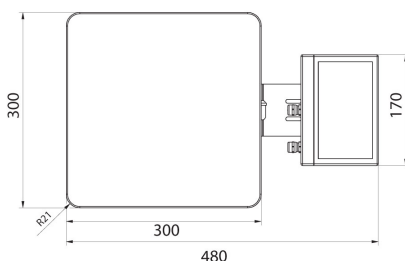
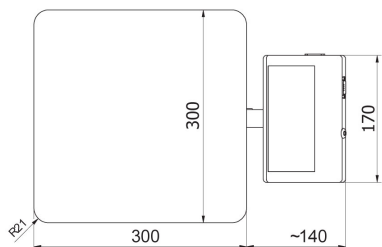
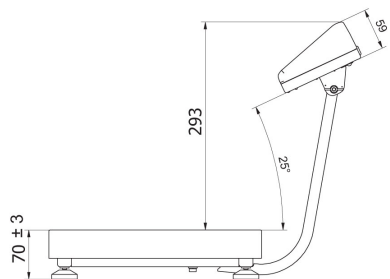
R Panel
 Scales Editor 2.1

Device dimensions

C315.15/30.C2.R Load Cell Platform Scale, C315.150/300.C3.K Load Cell Platform Scale, C315.30.C2.K Load Cell Platform Scale, C315.15.C3.K Load Cell Platform Scale, C315.15/30.C2.K Load Cell Platform Scale, C315.15/30.C3.K Load Cell Platform Scale, C315.15.C2.R Load Cell Platform Scale, C315.30.C3.M Load Cell Platform Scale, C315.60/150.C3.M Load Cell Platform Scale, C315.300.C2.K Load Cell Platform Scale, C315.60/150.C2.K Load Cell Platform Scale, C315.15.C2.K Load Cell Platform Scale, C315.60.C3.K Load Cell Platform Scale, C315.300.C3.K Load Cell Platform Scale, C315.150.C3.M Load Cell Platform Scale, C315.30/60.C3.K Load Cell Platform Scale, C315.60/150.C3.K Load Cell Platform Scale, C315.60.C2.K Load Cell Platform Scale, C315.60/150.C2.R Load Cell Platform Scale, C315.30/60.C2.R Load Cell Platform Scale, C315.150.C2.R Load Cell Platform Scale, C315.150.C2.K Load Cell Platform Scale, C315.300.C3.M Load Cell Platform Scale, C315.60.C3.M Load Cell Platform Scale, C315.300.C2.R Load Cell Platform Scale, C315.150/300.C3.M Load Cell Platform Scale, C315.150.C3.K Load Cell Platform Scale, C315.30.C3.K Load Cell Platform Scale, C315.60.C2.R Load Cell Platform Scale, C315.15/30.C3.M Load Cell Platform Scale, C315.30/60.C2.K Load Cell Platform Scale, C315.30.C2.R Load Cell Platform Scale, C315.15.C3.M Load Cell Platform Scale, C315.150/300.C2.R Load Cell Platform Scale, C315.30/60.C3.M Load Cell Platform Scale, C315.150/300.C2.K Load Cell Platform Scale

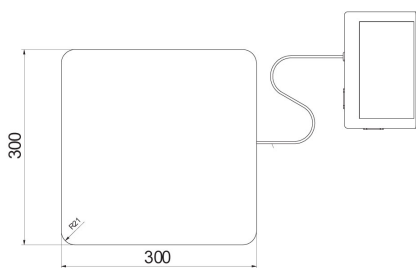
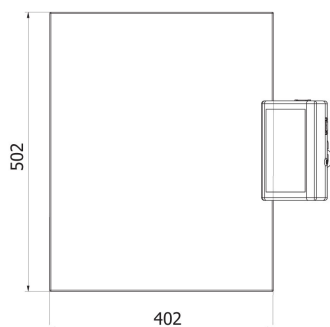
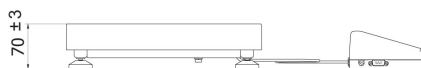
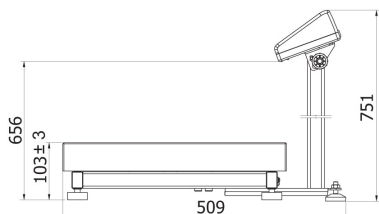


C315.30/60.C2.M Load Cell Platform Scale, C315.6.F1.M Load Cell Platform Scale, C315.30.C2.K Load Cell Platform Scale, C315.3/6.F1.R Load Cell Platform Scale, C315.300.C2.K Load Cell Platform Scale, C315.1,5.F1.R Load Cell Platform Scale, C315.60/150.C2.K Load Cell Platform Scale, C315.1,5.F1.M Load Cell Platform Scale, C315.30.F1.M Load Cell Platform Scale, C315.6/15.F1.M Load Cell Platform Scale, C315.60.C2.K Load Cell Platform Scale, C315.3/6.F1.K Load Cell Platform Scale, C315.15.F1.K Load Cell Platform Scale, C315.1,5.F1.K Load Cell Platform Scale, C315.150/300.C2.M Load Cell Platform Scale, C315.150.C2.K Load Cell Platform Scale, C315.60/150.C2.M Load Cell Platform Scale, C315.3/6.F1.M Load Cell Platform Scale, C315.6.F1.R Load Cell Platform Scale, C315.30.C2.M Load Cell Platform Scale, C315.15.F1.R Load Cell Platform Scale, C315.3.F1.K Load Cell Platform Scale, C315.30.F1.R Load Cell Platform Scale, C315.15.F1.M Load Cell Platform Scale, C315.3.F1.R Load Cell Platform Scale, C315.150.C2.M Load Cell Platform Scale, C315.60.C2.M Load Cell Platform Scale, C315.15/30.F1.R Load Cell Platform Scale, C315.6.F1.K Load Cell Platform Scale, C315.15/30.F1.K Load Cell Platform Scale, C315.300.C2.M Load Cell Platform Scale, C315.30/60.C2.K Load Cell Platform Scale, C315.15/30.F1.M Load Cell Platform Scale, C315.3.F1.M Load Cell Platform Scale, C315.150/300.C2.K Load Cell Platform Scale, C315.30.F1.K Load Cell Platform Scale, C315.6/15.F1.K Load Cell Platform Scale, C315.6/15.F1.R Load Cell Platform Scale



C315.F1.M

C315.F1.R



C315.C2.M

C315.C2.K