



More information on the website
radwag.com/en/info,w1,MRQ

PL/4N/600/H4.LD Platform, PL/4N/300/H2.LD Platform, PL/4N/1500/H4.LD Platform,
 PL/4N/600/H2.LD Platform, PL/4N/150/H1.LD Platform, PL/4N/1500/H2.LD Platform,
 PL/4N/600/H3.LD Platform, PL/4N/600/H1.LD Platform, PL/4N/300/H4.LD Platform,
 PL/4N/300/H3.LD Platform, PL/4N/1500/H3.LD Platform, PL/4N/300/H1.LD Platform



PL/4N/600/H4.LD Platform
 PL/4N/300/H2.LD Platform
 PL/4N/1500/H4.LD Platform
 PL/4N/600/H2.LD Platform
 PL/4N/150/H1.LD Platform
 PL/4N/1500/H2.LD Platform
 PL/4N/600/H3.LD Platform
 PL/4N/600/H1.LD Platform
 PL/4N/300/H4.LD Platform
 PL/4N/300/H3.LD Platform
 PL/4N/1500/H3.LD Platform
 PL/4N/300/H1.LD Platform

The drawings, photos and graphics used are for illustrative purposes only.

Datasheet

	PL/4N/150/H1.LD Platform	PL/4N/300/H1.LD Platform	PL/4N/300/H4.LD Platform
Metrological parameters			
Maximum capacity [Max]	150 kg	300 kg	300 kg
Readability [d]	50 g	100 g	100 g
Construction			
Protection class	IP 68	IP 68	IP 68
Construction	Stainless steel AISI304	Stainless steel AISI304	Stainless steel AISI304
Weighing pan material	Stainless steel AISI304	Stainless steel AISI304	Stainless steel AISI304
Physical parameters			
Weighing pan dimensions	840×860 mm	840×860 mm	1500×1500 mm
Weighing platform height	76 mm	76 mm	77 mm

Datasheet

	PL/4N/300/H3.LD Platform	PL/4N/300/H2.LD Platform	PL/4N/600/H1.LD Platform
Metrological parameters			
Maximum capacity [Max]	300 kg	300 kg	600 kg
Readability [d]	100 g	100 g	200 g
Construction			
Protection class	IP 68	IP 68	IP 68
Construction	Stainless steel AISI304	Stainless steel AISI304	Stainless steel AISI304
Weighing pan material	Stainless steel AISI304	Stainless steel AISI304	Stainless steel AISI304
Physical parameters			
Weighing pan dimensions	1200×1500 mm	1100×1200 mm	840×860 mm
Weighing platform height	77 mm	77 mm	76 mm

Datasheet

	PL/4N/600/H4.LD Platform	PL/4N/600/H3.LD Platform	PL/4N/600/H2.LD Platform
Metrological parameters			
Maximum capacity [Max]	600 kg	600 kg	600 kg
Readability [d]	200 g	200 g	200 g
Construction			
Protection class	IP 68	IP 68	IP 68
Construction	Stainless steel AISI304	Stainless steel AISI304	Stainless steel AISI304
Weighing pan material	Stainless steel AISI304	Stainless steel AISI304	Stainless steel AISI304
Physical parameters			
Weighing pan dimensions	1500×1500 mm	1200×1500 mm	1100×1200 mm
Weighing platform height	77 mm	77 mm	77 mm

Datasheet

	PL/4N/1500/H3.LD Platform	PL/4N/1500/H4.LD Platform	PL/4N/1500/H2.LD Platform
Metrological parameters			
Maximum capacity [Max]	1500 kg	1500 kg	1500 kg
Readability [d]	500 g	500 g	500 g
Construction			
Protection class	IP 68	IP 68	IP 68
Construction	Stainless steel AISI304	Stainless steel AISI304	Stainless steel AISI304
Weighing pan material	Stainless steel AISI304	Stainless steel AISI304	Stainless steel AISI304
Physical parameters			
Weighing pan dimensions	1200×1500 mm	1500×1500 mm	1100×1200 mm
Weighing platform height	77 mm	77 mm	77 mm



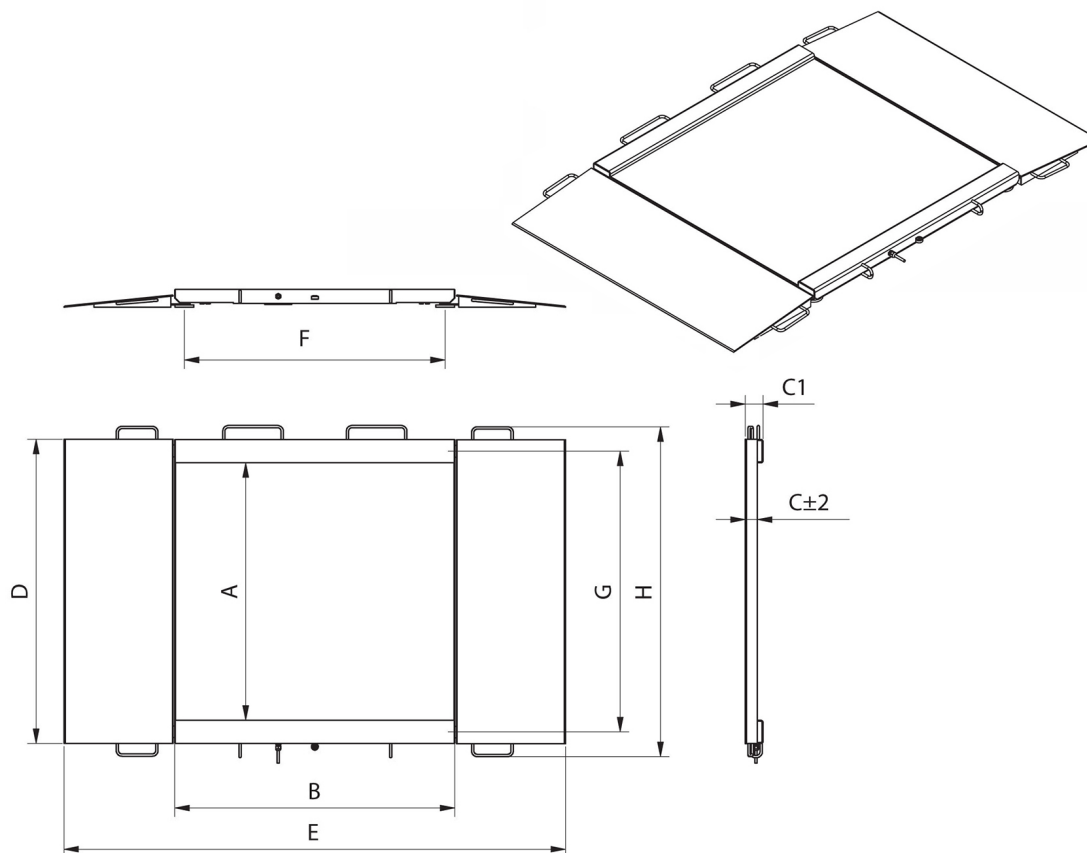
Accessories

PUE 5 Weighing Terminal
PUE 7.1 Weighing Terminal

PUE HX7 Weighing Terminal
PUE HY10 Weighing Terminal

Device dimensions

PL/4N/600/H4.LD Platform, PL/4N/300/H2.LD Platform, PL/4N/1500/H4.LD Platform, PL/4N/600/H2.LD Platform, PL/4N/150/H1.LD Platform, PL/4N/1500/H2.LD Platform, PL/4N/600/H3.LD Platform, PL/4N/600/H1.LD Platform, PL/4N/300/H4.LD Platform, PL/4N/300/H3.LD Platform, PL/4N/1500/H3.LD Platform, PL/4N/300/H1.LD Platform



Model	Max	A	B	C	C1	D	E	F	G	H
PL/4N/150/H1	150 kg	840	860	45,5	76	1040	1710	778	940	1170
PL/4N/300/H1	300 kg	840	860	45,5	76	1040	1710	778	940	1170
PL/4N/600H1	600 kg	840	860	45,5	76	1040	1710	778	940	1170
PL/4N/150H2	1500 kg	1100	1200	45,5	76	1300	2050	1118	1200	1430
PL/4N/300/H2	300 kg	1100	1200	45,5	76	1300	2050	1118	1200	1430
PL/4N/600/H2	600 kg	1100	1200	45,5	76	1300	2050	1118	1200	1430
PL/4N/1500/H2	1500 kg	1100	1200	52,5	76	1300	2150	1118	1200	1430
PL/4N/300/H3	300 kg	1200	1500	45,5	76	1400	2350	1418	1300	1530
PL/4N/600/H3	600 kg	1200	1500	45,5	76	1400	2350	1418	1300	1530
PL/4N/1500/H3	1500 kg	1200	1500	52,5	76	1400	2450	1418	1300	1530
PL/4N/300/H4	300 kg	1500	1500	52,5	76	1700	2450	1418	1600	1830
PL/4N/600/H4	600 kg	1500	1500	52,5	76	1700	2450	1418	1600	1830
PL/4N/1500/H4	1500 kg	1500	1500	52,5	76	1700	2450	1418	1600	1830