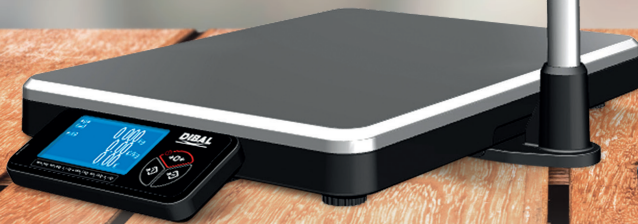


WEIGHT ONLY OR
PRICE COMPUTING SCALE

CHECKOUT SCALE

DPOS-400 series

scales without
printer
02



Dimensions

DATA IN mm

A	50
B	275
C	65
D	345
E	420*
F	45

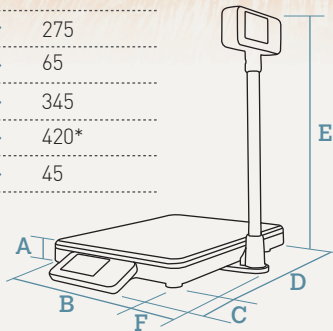


Plate dimensions: L300 x W230 mm.
Weight with packaging: 5.0 kg.

* + 9.2 mm with glass plate and legs adjusted in height to the minimum.



LCD
SEGMENT
DISPLAY



RS-232



USB



METROLOGICAL
VERIFICATION
OPTIONAL (EU)

Models

Flat Format

	Vendor Display	Buyer Display	Communication protocols	Power through a USB	Capacity / Accuracy	Reference
DPOS-400 F - 1 DISP.	LCD Graphic	-	Up to 100	Mains / Others	6 kg / 2 g - 15 kg / 5 g	7POSP00LNE__
DPOS-400 F - 2 DISP.	LCD Graphic	LCD Graphic	Up to 100	Mains / Others	6 kg / 2 g - 15 kg / 5 g	7POSPP0LNE__

Pole Format

	Vendor Display	Buyer Display	Communication protocols	Power through a USB	Capacity / Accuracy	Reference
DPOS-400 P - 1 DISP.	LCD Graphic	-	Up to 100	Mains / Others	6 kg / 2 g - 15 kg / 5 g	7POST00LNE__
DPOS-400 P - 2 DISP.	LCD Graphic	LCD Graphic	Up to 100	Mains / Others	6 kg / 2 g - 15 kg / 5 g	7POSTT0LNE__
DPOS-400 P - 2 DISP. <i>(1 in base and 1 in pole)</i>	LCD Graphic	LCD Graphic	Up to 100	Mains / Others	6 kg / 2 g - 15 kg / 5 g	7POSPT0LNE__

Characteristics and functionality

Main characteristics

- Weight only or price computing scale for checkout applications.
- Modular and modern design.
- Easy integration into counters.
- Additional tempered glass plate available. Customizable with client's logo.
- Valid for legal metrology.

Features

- EAN heading programming (according to the communication protocol).
- Tare, fix tare and manual zero.
- Display of price in a secondary currency.
- Energy saving via programmable on and off back lighting switching and automatic disconnection.
- Power supply and communications through one single USB cable.

Capacity / Accuracy

- Multi-range (3,000 divisions): 6 kg / 2 g - 15 kg / 5 g.
- Optional:
 - Mono-range (3,000 divisions): 15 kg / 5 g.

Available formats

- Flat.
- Pole.

Construction

- Structure:
 - ABS plastic casing.

- Display:
 - Easy to install in multiple positions (1 or 2 displays).
 - Backlit LCD matrix graphic display.
 - 5 digits (up to H20 mm) per display.
 - Shows only weight or weight, price/kg and total (connected to POS and depending on the communication protocol).
- Keypad with 3-keys.
- Plate:
 - Type: Flat.
 - Material: Stainless steel. Also available in tempered glass (additional).

Communication to PC / POS / ECR

- RS-232 interface.
- USB.
- Communication protocols available for the main POS and ECR in the market.
- Multi-protocol: communication protocol is selected in the scale (40 protocols available). More protocols can be added from PC by telecharge (maximum: 60 protocols more).
- "OPOS" driver.

Power supply

- Mains: power via USB connection, with an AC/DC adapter from 110/240 VAC to 5 V / 500 mA.
- Others: other sources through a USB connection for example with a PC.

Energy consumption

- 1 W (approx.).

Options

Option	Characteristics	Reference
Capacity 15 kg / 5 g	Mono-range (3,000 divisions).	...N __ (*)
Metrological verification (M)	According to EU weighing directives. (See section on equipment metrological verification).	Consult

(*) The scale references with this capacity are obtained by replacing the last characters of the reference for the standard scale with the indicated ending.

Accessories

Tempered glass plate (customizable)

Stainless steel plate also included.



Ref: 494839A

Note:

- The references correspond to standard models: Black ABS plastic casing, backlit LCD segment display, flat stainless steel plate and RS-232 and USB communications. Capacity/Accuracy: 6 kg / 2 g - 15 kg / 5 g.