



**Safe Overload = 125%**  
**Ultimate Overload = 650% plus**



**Portable Weighing at Affordable Budget**

# CCS Series Portable Crane Scales

## Key Features

- Light Weight and Heavy Duty Cast Aluminum Housing
- Safe Overload = 125%
- Testified Ultimate Overload: CCS-1000 = 650%, Others = 1200% plus
- 5 x 30mm LED Display Digits
- 360° Rotary Safety Hook with Wire Rope Stopper
- User Friendly Functions: -  
Tare, Preset Tare, Zero, Auto Zero Tracking, Memory Accumulation, Hold, Overload Warning, LED Brightness Adjustment and Auto Power Saving
- Dual Units: - Kilogram (kg) and Newton (N)
- Charge Status Indicator
- Battery Protection Circuits Against Overcharging
- Dual Power Source: - Built-In Rechargeable Battery and External Power Adapter
- External Power Adaptor and Remote Control Included

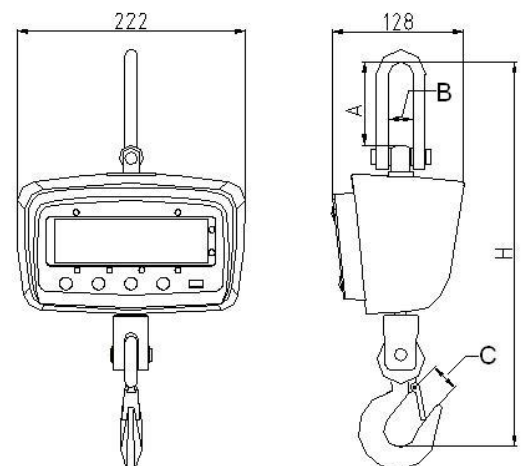
## Specifications

Model	Kilogram (kg)			Newton (N)		
	Capacity	Division	Min	Capacity	Division	Min
CCS-60	60	0.02	0.4	588	0.2	4
CCS-150	150	0.05	1.0	1470	0.5	10
CCS-300	300	0.10	2.0	2940	1.0	20
CCS-600	600	0.20	4.0	5880	2.0	40
CCS-1000	1000	0.50	10.0	9800	5.0	100
Tare Range	To Capacity by Subtraction					
Power Source	Built-In Rechargeable Battery (6V/5Ah) or External Power Adapter					
Operating Environment	0~40°C(32~104°F) Non-condensed R.H. ≤85%					

*In the interest of improvement, specifications may change prior to notice*

## Dimensions (mm)

Model	A(mm)	B(mm)	C(mm)	H(mm)
CCS-60	75	20	25	370
CCS-150	75	20	25	370
CCS-300	75	20	25	370
CCS-600	75	20	25	370
CCS-1000	90	25	27	390



Fidelity Measurement Co., Ltd.  
<http://www.fi-measurement.com>  
 e-mail: [info@fi-measurement.com](mailto:info@fi-measurement.com)

REV.: CCS/18/01/01