



More information on the website  
[radwag.com/en/info,w1,TFX](http://radwag.com/en/info,w1,TFX)

CY10.6/12.D2.K Precision Balance, CY10.30/60.C2.K Precision Balance, CY10.12.F1.K Precision Balance, CY10.60/120.C2.K Precision Balance, CY10.3/6.D2.K Precision Balance, CY10.6.F1.K.M2 Precision Balance, CY10.12/30.F1.K Precision Balance, CY10.30.F1.K Precision Balance, CY10.120.C2.K Precision Balance, CY10.2.D2.K Precision Balance, CY10.10.D2.K Precision Balance, CY10.1.D2.K Precision Balance, CY10.60.C2.K.M2 Precision Balance, CY10.6/12.F1.K Precision Balance, CY10.20.D2.K Precision Balance, CY10.6.D2.K.M2 Precision Balance



CY10.6/12.D2.K Precision Balance  
 CY10.3/6.D2.K Precision Balance  
 CY10.2.D2.K Precision Balance  
 CY10.10.D2.K Precision Balance  
 CY10.1.D2.K Precision Balance  
 CY10.20.D2.K Precision Balance  
 CY10.6.D2.K.M2 Precision Balance



CY10.30/60.C2.K Precision Balance  
 CY10.60/120.C2.K Precision Balance  
 CY10.120.C2.K Precision Balance  
 CY10.60.C2.K.M2 Precision Balance



CY10.12.F1.K Precision Balance  
 CY10.6.F1.K.M2 Precision Balance  
 CY10.12/30.F1.K Precision Balance  
 CY10.30.F1.K Precision Balance  
 CY10.6/12.F1.K Precision Balance

The drawings, photos and graphics used are for illustrative purposes only.

## Functions



Autotest



Dosing



Percent Weighing



Parts counting



Peak hold



Formulation



Newton unit measurement



Statistics



Checkweighing



IR sensors



GLP Procedures



Animal weighing



Pipettes Calibration



Air density correction



Density determination



Differential weighing



Ambient conditions monitoring



Statistical Quality Control



Packaged Goods Control



ALIBI Memory



Wi-Fi

# Datasheet

	CY10.1.D2.K Precision Balance	CY10.2.D2.K Precision Balance	CY10.3/6.D2.K Precision Balance
<b>Metrological parameters</b>			
<b>Maximum capacity [Max]</b>	1 kg	2 kg	3/6 kg
<b>Minimum load</b>	-	-	-
<b>Readability [d]</b>	0,01 g	0,01 g	0,05/0,1 g
<b>Verification unit [e]</b>	-	-	-
<b>Tare range</b>	-1 kg	-2 kg	-6 kg
<b>Repeatability</b>	0,03 g	0,03 g	0,3 g
<b>Linearity</b>	±0,03 g	±0,03 g	±0,1 g
<b>Stabilization time</b>	3 s	3 s	3 s
<b>Adjustment</b>	external	external	external
<b>OIML Class</b>	-	-	-
<b>Physical parameters</b>			
<b>Leveling system</b>	manual	manual	manual
<b>Display</b>	10" graphic colour touchscreen	10" graphic colour touchscreen	10" graphic colour touchscreen
<b>Weighing pan dimensions</b>	195×195 mm	195×195 mm	195×195 mm
<b>Packaging dimensions</b>	530×310×150 mm	530×310×150 mm	530×310×150 mm
<b>Net weight</b>	3,7 kg	3,7 kg	3,7 kg
<b>Gross weight</b>	4,6 kg	4,6 kg	4,6 kg
<b>Construction</b>			
<b>Protection class</b>	IP 43	IP 43	IP 43
<b>Housing</b>	steel + ABS	steel + ABS	steel + ABS
<b>Communication interface</b>			
<b>Communication interface</b>	2×USB-A, USB-C, HDMI, Ethernet, Wi-Fi, Hotspot	2×USB-A, USB-C, HDMI, Ethernet, Wi-Fi, Hotspot	2×USB-A, USB-C, HDMI, Ethernet, Wi-Fi, Hotspot
<b>Electrical parameters</b>			
<b>Power supply</b>	12÷15V DC	12÷15V DC	12÷15V DC
<b>Power consumption</b>	1A	1A	1A
<b>Environmental conditions</b>			
<b>Operating temperature</b>	+15 ÷ +30 °C	+15 ÷ +30 °C	+15 ÷ +30 °C
<b>Storage temperature</b>	-25 ÷ +70 °C	-25 ÷ +70 °C	-25 ÷ +70 °C
<b>Relative humidity</b>	10% ÷ 80% RH no condensation	10% ÷ 80% RH no condensation	10% ÷ 80% RH no condensation

# Datasheet

	CY10.6/12.D2.K Precision Balance	CY10.6.D2.K.M2 Precision Balance	CY10.6/12.F1.K Precision Balance
<b>Metrological parameters</b>			
<b>Maximum capacity [Max]</b>	6/12 kg	6 kg	6/12 kg
<b>Minimum load</b>	-	5 g	-
<b>Readability [d]</b>	0,1/0,2 g	0,1 g	0,1/0,2 g
<b>Verification unit [e]</b>	-	1 g	-
<b>Tare range</b>	-6 kg	-6 kg	-12 kg
<b>Repeatability</b>	0,1 g	0,1 g	0,6 g
<b>Linearity</b>	±0,1 g	±0,1 g	±0,1 g
<b>Stabilization time</b>	3 s	3 s	3 s
<b>Adjustment</b>	external	external	external
<b>OIML Class</b>	-	II	-
<b>Physical parameters</b>			
<b>Leveling system</b>	manual	manual	manual
<b>Display</b>	10" graphic colour touchscreen	10" graphic colour touchscreen	10" graphic colour touchscreen
<b>Weighing pan dimensions</b>	195×195 mm	195×195 mm	300×300 mm
<b>Packaging dimensions</b>	500×310×150 mm	530×310×150 mm	570×390×170 mm
<b>Net weight</b>	3,7 kg	3,7 kg	6,2 kg
<b>Gross weight</b>	4,6 kg	4,6 kg	7 kg
<b>Construction</b>			
<b>Protection class</b>	IP 43	IP 43	IP 43
<b>Housing</b>	steel + ABS	steel + ABS	steel + ABS
<b>Communication interface</b>			
<b>Communication interface</b>	2×USB-A, USB-C, HDMI, Ethernet, Wi-Fi, Hotspot	2×USB-A, USB-C, HDMI, Ethernet, Wi-Fi, Hotspot	2×USB-A, USB-C, HDMI, Ethernet, Wi-Fi, Hotspot
<b>Electrical parameters</b>			
<b>Power supply</b>	12÷15V DC	12÷15V DC	12÷15V DC
<b>Power consumption</b>	1A	1A	1A
<b>Environmental conditions</b>			
<b>Operating temperature</b>	+15 ÷ +30 °C	+15 ÷ +30 °C	+15 ÷ +30 °C
<b>Storage temperature</b>	-25 ÷ +70 °C	-25 ÷ +70 °C	-25 ÷ +70 °C
<b>Relative humidity</b>	10% ÷ 80% RH no condensation	10% ÷ 80% RH no condensation	10% ÷ 80% RH no condensation

# Datasheet

	CY10.6.F1.K.M2 Precision Balance	CY10.10.D2.K Precision Balance	CY10.12/30.F1.K Precision Balance
<b>Metrological parameters</b>			
<b>Maximum capacity [Max]</b>	6 kg	10 kg	12/30 kg
<b>Minimum load</b>	5 g	-	-
<b>Readability [d]</b>	0,1 g	0,1 g	0,2/0,5 g
<b>Verification unit [e]</b>	1 g	-	-
<b>Tare range</b>	-6 kg	-10 kg	-30 kg
<b>Repeatability</b>	0,1 g	0,3 g	1 g
<b>Linearity</b>	±0,1 g	±0,3 g	±0,6 g
<b>Stabilization time</b>	3 s	3 s	3 s
<b>Adjustment</b>	external	external	external
<b>OIML Class</b>	II	-	-
<b>Physical parameters</b>			
<b>Leveling system</b>	manual	manual	manual
<b>Display</b>	10" graphic colour touchscreen	10" graphic colour touchscreen	10" graphic colour touchscreen
<b>Weighing pan dimensions</b>	300×300 mm	195×195 mm	300×300 mm
<b>Packaging dimensions</b>	570×390×170 mm	530×310×150 mm	570×390×170 mm
<b>Net weight</b>	6,2 kg	3,7 kg	6,2 kg
<b>Gross weight</b>	8 kg	4,6 kg	7 kg
<b>Construction</b>			
<b>Protection class</b>	IP 43	IP 43	IP 43
<b>Housing</b>	steel + ABS	steel + ABS	steel + ABS
<b>Communication interface</b>			
<b>Communication interface</b>	2×USB-A, USB-C, HDMI, Ethernet, Wi-Fi, Hotspot	2×USB-A, USB-C, HDMI, Ethernet, Wi-Fi, Hotspot	2×USB-A, USB-C, HDMI, Ethernet, Wi-Fi, Hotspot
<b>Electrical parameters</b>			
<b>Power supply</b>	12÷15V DC	12÷15V DC	12÷15V DC
<b>Power consumption</b>	1A	1A	1A
<b>Environmental conditions</b>			
<b>Operating temperature</b>	+15 ÷ +30 °C	+15 ÷ +30 °C	+15 ÷ +30 °C
<b>Storage temperature</b>	-25 ÷ +70 °C	-25 ÷ +70 °C	-25 ÷ +70 °C
<b>Relative humidity</b>	10% ÷ 80% RH no condensation	10% ÷ 80% RH no condensation	10% ÷ 80% RH no condensation

# Datasheet

	CY10.12.F1.K Precision Balance	CY10.20.D2.K Precision Balance	CY10.30.F1.K Precision Balance
<b>Metrological parameters</b>			
<b>Maximum capacity [Max]</b>	12 kg	20 kg	30 kg
<b>Minimum load</b>	-	-	-
<b>Readability [d]</b>	0,2 g	0,1 g	0,5 g
<b>Verification unit [e]</b>	-	-	-
<b>Tare range</b>	-12 kg	-20 kg	-30 kg
<b>Repeatability</b>	0,6 g	0,3 g	1 g
<b>Linearity</b>	±0,6 g	±0,3 g	±1 g
<b>Stabilization time</b>	3 s	3 s	3 s
<b>Adjustment</b>	external	external	external
<b>OIML Class</b>	-	-	-
<b>Physical parameters</b>			
<b>Leveling system</b>	manual	manual	manual
<b>Display</b>	10" graphic colour touchscreen	10" graphic colour touchscreen	10" graphic colour touchscreen
<b>Weighing pan dimensions</b>	300×300 mm	195×195 mm	300×300 mm
<b>Packaging dimensions</b>	570×390×170 mm	530×310×150 mm	570×390×170 mm
<b>Net weight</b>	6,2 kg	3,7 kg	6,2 kg
<b>Gross weight</b>	7 kg	4,6 kg	7 kg
<b>Construction</b>			
<b>Protection class</b>	IP 43	IP 43	IP 43
<b>Housing</b>	steel + ABS	steel + ABS	steel + ABS
<b>Communication interface</b>			
<b>Communication interface</b>	2×USB-A, USB-C, HDMI, Ethernet, Wi-Fi, Hotspot	2×USB-A, USB-C, HDMI, Ethernet, Wi-Fi, Hotspot	2×USB-A, USB-C, HDMI, Ethernet, Wi-Fi, Hotspot
<b>Electrical parameters</b>			
<b>Power supply</b>	12÷15V DC	12÷15V DC	12÷15V DC
<b>Power consumption</b>	1A	1A	1A
<b>Environmental conditions</b>			
<b>Operating temperature</b>	+15 ÷ +30 °C	+15 ÷ +30 °C	+15 ÷ +30 °C
<b>Storage temperature</b>	-25 ÷ +70 °C	-25 ÷ +70 °C	-25 ÷ +70 °C
<b>Relative humidity</b>	10% ÷ 80% RH no condensation	10% ÷ 80% RH no condensation	10% ÷ 80% RH no condensation

# Datasheet

	CY10.30/60.C2.K Precision Balance	CY10.60.C2.K.M2 Precision Balance	CY10.60/120.C2.K Precision Balance
<b>Metrological parameters</b>			
<b>Maximum capacity [Max]</b>	30/60 kg	60 kg	60/120 kg
<b>Minimum load</b>	-	50 g	-
<b>Readability [d]</b>	0,5/1 g	1 g	1/2 g
<b>Verification unit [e]</b>	-	10 g	-
<b>Tare range</b>	-60 kg	-60 kg	-120 kg
<b>Repeatability</b>	1,5 g	1,5 g	2 g
<b>Linearity</b>	±3 g	±3 g	±2 g
<b>Stabilization time</b>	3 s	3 s	3 s
<b>Adjustment</b>	external	external	external
<b>OIML Class</b>	-	II	-
<b>Physical parameters</b>			
<b>Leveling system</b>	manual	manual	manual
<b>Display</b>	10" graphic colour touchscreen	10" graphic colour touchscreen	10" graphic colour touchscreen
<b>Weighing pan dimensions</b>	400×500 mm	400×500 mm	400×500 mm
<b>Packaging dimensions</b>	720×620×210 mm	720×620×210 mm	720×620×210 mm
<b>Net weight</b>	13,5 kg	13,5 kg	13,5 kg
<b>Gross weight</b>	16 kg	16 kg	16 kg
<b>Construction</b>			
<b>Protection class</b>	IP 43	IP 43	IP 43
<b>Housing</b>	steel + ABS	steel + ABS	steel + ABS
<b>Communication interface</b>			
<b>Communication interface</b>	2×USB-A, USB-C, HDMI, Ethernet, Wi-Fi, Hotspot	2×USB-A, USB-C, HDMI, Ethernet, Wi-Fi, Hotspot	2×USB-A, USB-C, HDMI, Ethernet, Wi-Fi, Hotspot
<b>Electrical parameters</b>			
<b>Power supply</b>	12÷15V DC	12÷15V DC	12÷15V DC
<b>Power consumption</b>	1A	1A	1A
<b>Environmental conditions</b>			
<b>Operating temperature</b>	+15 ÷ +30 °C	+15 ÷ +30 °C	+15 ÷ +30 °C
<b>Storage temperature</b>	-25 ÷ +70 °C	-25 ÷ +70 °C	-25 ÷ +70 °C
<b>Relative humidity</b>	10% ÷ 80% RH no condensation	10% ÷ 80% RH no condensation	10% ÷ 80% RH no condensation

# Datasheet

	CY10.120.C2.K Precision Balance
<b>Metrological parameters</b>	
Maximum capacity [Max]	120 kg
Minimum load	-
Readability [d]	2 g
Verification unit [e]	-
Tare range	-120 kg
Repeatability	2 g
Linearity	±2 g
Stabilization time	3 s
Adjustment	external
OIML Class	-
<b>Physical parameters</b>	
Leveling system	manual
Display	10" graphic colour touchscreen
Weighing pan dimensions	400×500 mm
Packaging dimensions	720×620×210 mm
Net weight	13,5 kg
Gross weight	16 kg
<b>Construction</b>	
Protection class	IP 43
Housing	steel + ABS
<b>Communication interface</b>	
Communication interface	2×USB-A, USB-C, HDMI, Ethernet, Wi-Fi, Hotspot
<b>Electrical parameters</b>	
Power supply	12÷15V DC
Power consumption	1A
<b>Environmental conditions</b>	
Operating temperature	+15 ÷ +30 °C
Storage temperature	-25 ÷ +70 °C
Relative humidity	10% ÷ 80% RH no condensation

\* Wi-Fi® is a registered trademark of Wi-Fi® Alliance.



## Accessories

MediaBox  
Mild steel powder coated weighing platforms  
HRP Platforms High Capacity  
RFID Tags  
Power Adapters  
Additional Weighing platforms Module  
Mild steel powder coated weighing platforms  
Additional modules  
Platforms in plastic casing  
Professional Weighing Tables

Protective cover for balances  
Barcode scanners  
Under-pan weighing  
RS 232, RS 485 cables  
USB Hubs  
Label Printers  
RS 232, RS 485 cables  
Receipt Printer  
Fingerprint Reader  
RS 232 – USB Converter

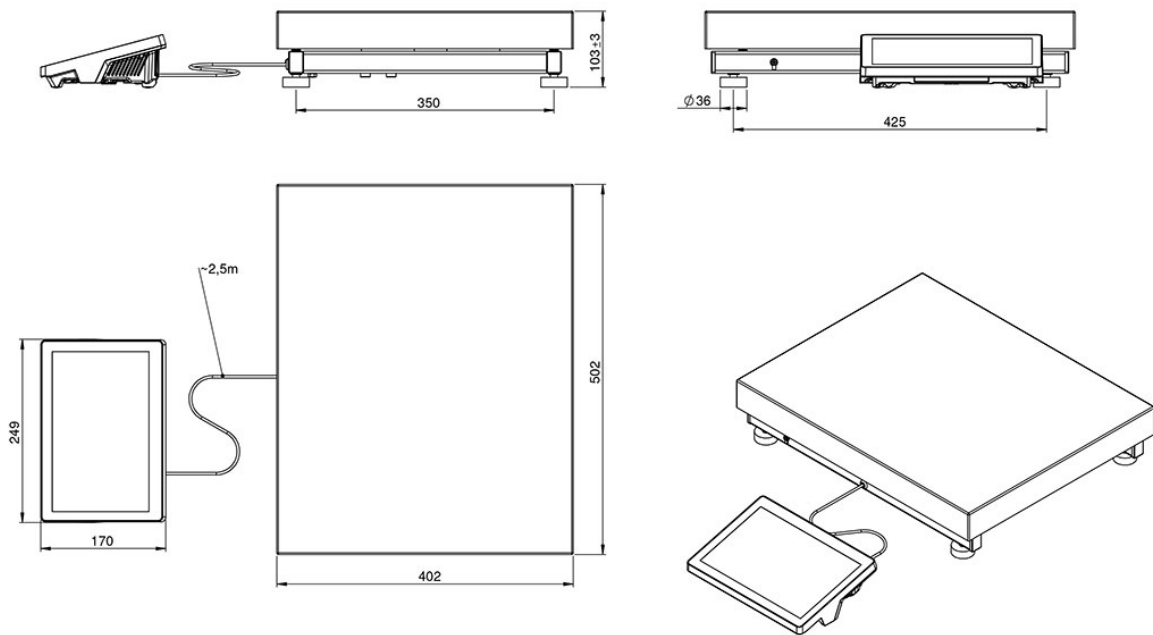
# Software

E2R System  
Label Editor R02  
Scales Editor 2.1

RAD-KEY  
RADWAG Remote Desktop

## Device dimensions

CY10.30/60.C2.K Precision Balance, CY10.60/120.C2.K Precision Balance, CY10.120.C2.K Precision Balance, CY10.60.C2.K.M2 Precision Balance



CY10.12.F1.K Precision Balance, CY10.6.F1.K.M2 Precision Balance, CY10.12/30.F1.K Precision Balance, CY10.30.F1.K Precision Balance, CY10.6/12.F1.K Precision Balance

