



WLC 2.X7 Precision Balance, WLC 20.X7 Precision Balance, WLC 6.X7 Precision Balance, WLC 0.2.X7 Precision Balance, WLC 10.X7 Precision Balance, WLC 21.X7 Precision Balance, WLC 1/10.X7 Precision Balance

More information on the website
radwag.com/en/info,w1,ARZ



WLC 2.X7 Precision Balance



WLC 20.X7 Precision Balance
WLC 6.X7 Precision Balance
WLC 10.X7 Precision Balance
WLC 1/10.X7 Precision Balance



WLC 0.2.X7 Precision Balance



WLC 21.X7 Precision Balance

The drawings, photos and graphics used are for illustrative purposes only.

Functions



Autotest



Dosing



Percent Weighing



Parts counting



Peak hold



Formulation



Newton unit measurement



Statistics



Checkweighing



IR sensors



Under-pan weighing



GLP Procedures



Animal weighing



Density determination



Ambient conditions monitoring



Replaceable unit



Statistical Quality Control



ALIBI Memory



Mass for titrator



Wi-Fi

Datasheet

	WLC 0.2.X7 Precision Balance	WLC 2.X7 Precision Balance	WLC 6.X7 Precision Balance
Metrological parameters			
Maximum capacity [Max]	0,2 kg	2 kg	6 kg
Readability [d]	0,001 g	0,01 g	0,1 g
Verification unit [e]	-	-	-
Tare range	-0,2 kg	-2 kg	-6 kg
Repeatability	0,0014 g	0,015 g	0,1 g
Linearity	±0,003 g	±0,03 g	±0,3 g
Stabilization time	2 s	2 s	2 s
Adjustment	internal (automatic)	internal (automatic)	internal (automatic)
Physical parameters			
Leveling system	manual	manual	manual
Display	7" graphic colour touchscreen	7" graphic colour touchscreen	7" graphic colour touchscreen
Delivery components	—	Balance, weighing pan, weighing pan shield, grounding bumper ×1, bumper ×3, power supply.	—
Weighing pan dimensions	ø100 mm	195×195 mm	195×195 mm
Packaging dimensions	430×270×190 mm	430×270×190 mm	430×270×190 mm
Net weight	1,8 kg	2,2 kg	2,2 kg
Gross weight	3,4 kg	3,5 kg	4 kg
Construction			
Protection class	IP 43	IP 43	IP 43
Components and software			
Database capacity	7	7	7
Communication interface			
Communication interface	2×RS232 ¹ , USB-A, USB-B, Ethernet, Wi-Fi	2×RS232 ¹ , USB-A, USB-B, Ethernet, Wi-Fi	2×RS232 ¹ , USB-A, USB-B, Ethernet, Wi-Fi
Electrical parameters			
Power supply	Adapter: 100 – 240V AC 50/60Hz 0,6A; 12V DC 1,2A Balance: 10 – 15VDC 0,6A max	Adapter: 100 – 240V AC 50/60Hz 0,6A; 12V DC 1,2A Balance: 10 – 15VDC 0,6A max	Adapter: 100 – 240V AC 50/60Hz 0,6A; 12V DC 1,2A Balance: 10 – 15VDC 0,6A max
Environmental conditions			
Operating temperature	+10 ÷ +40 °C	+10 ÷ +40 °C	+10 ÷ +40 °C

Repeatability is expressed as a standard deviation from 10 weighing cycles. Stabilization time depends on the ambient conditions and the dynamics of weighing pan loading; specified for FAST profile. 1 Barcode scanners, available as weighing instrument accessory, communicate with the instrument via RS232 interface exclusively.

Datasheet

	WLC 1/10.X7 Precision Balance	WLC 10.X7 Precision Balance	WLC 20.X7 Precision Balance
Metrological parameters			
Maximum capacity [Max]	10 kg	10 kg	20 kg
Readability [d]	0,01 / 0,1 g	0,1 g	0,1 g
Verification unit [e]	-	-	-
Tare range	-10 kg	-10 kg	-20 kg
Repeatability	0,015 / 0,08 g	0,08 g	0,1 g
Linearity	±0,03 / 0,3 g	±0,3 g	±0,3 g
Stabilization time	4 / 2 s	2 s	3 s
Adjustment	external	external	external
Physical parameters			
Leveling system	manual	manual	manual
Display	7" graphic colour touchscreen	7" graphic colour touchscreen	7" graphic colour touchscreen
Delivery components	Balance, weighing pan, weighing pan shield, grounding bumper ×1, bumper ×3, power supply.	—	—
Weighing pan dimensions	195×195 mm	195×195 mm	195×195 mm
Packaging dimensions	430×270×190 mm	430×270×190 mm	430×270×190 mm
Net weight	2,2 kg	2,2 kg	2,2 kg
Gross weight	3,8 kg	3,8 kg	3 kg
Construction			
Protection class	IP 43	IP 43	IP 43
Components and software			
Database capacity	7	7	7
Communication interface			
Communication interface	2×RS232 ¹ , USB-A, USB-B, Ethernet, Wi-Fi	2×RS232 ¹ , USB-A, USB-B, Ethernet, Wi-Fi	2×RS232 ¹ , USB-A, USB-B, Ethernet, Wi-Fi
Electrical parameters			
Power supply	Adapter: 100 – 240V AC 50/60Hz 0,6A; 12V DC 1,2A Balance: 10 – 15VDC 0,6A max	Adapter: 100 – 240V AC 50/60Hz 0,6A; 12V DC 1,2A Balance: 10 – 15VDC 0,6A max	Adapter: 100 – 240V AC 50/60Hz 0,6A; 12V DC 1,2A Balance: 10 – 15VDC 0,6A max
Environmental conditions			
Operating temperature	+10 ÷ +40 °C	+10 ÷ +40 °C	+10 ÷ +40 °C

Repeatability is expressed as a standard deviation from 10 weighing cycles. Stabilization time depends on the ambient conditions and the dynamics of weighing pan loading; specified for FAST profile. 1 Barcode scanners, available as weighing instrument accessory, communicate with the instrument via RS232 interface exclusively.

Datasheet

WLC 21.X7 Precision Balance	
Metrological parameters	
Maximum capacity [Max]	21 kg
Readability [d]	1 g
Verification unit [e]	-
Tare range	-21 kg
Repeatability	0,8 g
Linearity	±3 g
Stabilization time	3 s
Adjustment	external
Physical parameters	
Leveling system	manual
Display	7" graphic colour touchscreen
Delivery components	-
Weighing pan dimensions	195×195 mm
Packaging dimensions	430×270×190 mm
Net weight	2,2 kg
Gross weight	3,8 kg
Construction	
Protection class	IP 43
Components and software	
Database capacity	7
Communication interface	
Communication interface	2×RS232 ¹ , USB-A, USB-B, Ethernet, Wi-Fi
Electrical parameters	
Power supply	Adapter: 100 – 240V AC 50/60Hz 0,6A; 12V DC 1,2A Balance: 10 – 15VDC 0,6A max
Environmental conditions	
Operating temperature	+10 ÷ +40 °C

Repeatability is expressed as a standard deviation from 10 weighing cycles. Stabilization time depends on the ambient conditions and the dynamics of weighing pan loading; specified for FAST profile. 1 Barcode scanners, available as weighing instrument accessory, communicate with the instrument via RS232 interface exclusively.

* Wi-Fi® is a registered trademark of Wi-Fi® Alliance.



Accessories

Balance Storage Case
Antivibration Tables
Power Adapters
RS 232 cables (scale - printer)
Cigarette lighter receptacle power supply cables
USB cable (scale - printer)
Barcode scanners
Under-pan weighing

RS 232, RS 485 cables
Density determination KIT
Displays
Receipt Printer
RS 232, RS 485 cables
Protective cover for balances
RS 232 cables (scale - printer)
RS 232 – RS 485 Converter

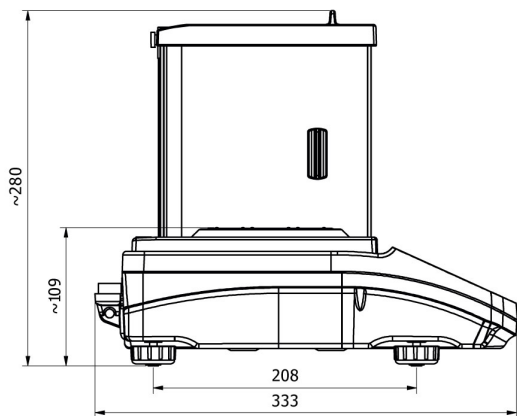
Software

RAD-KEY
R-LAB
RADWAG Development Studio

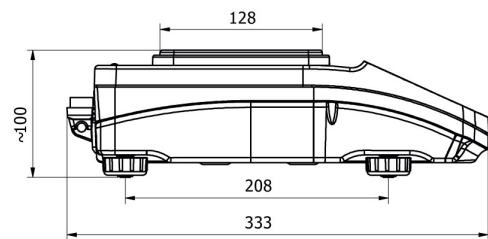
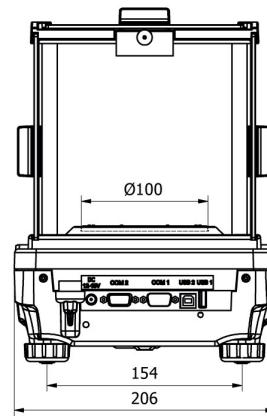
Alibi Reader
Scales Editor 2.1

Device dimensions

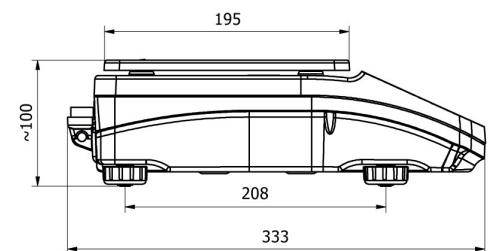
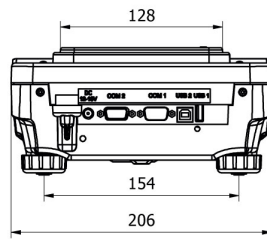
WLC 2.X7 Precision Balance, WLC 20.X7 Precision Balance, WLC 6.X7 Precision Balance, WLC 0.2.X7 Precision Balance, WLC 10.X7 Precision Balance, WLC 21.X7 Precision Balance, WLC 1/10.X7 Precision Balance



WLC X2, d = 0.001 mg



WLC X2, d = 0.01 mg



WLC X2, d = 0.1 mg

