

LOAD CELLS

RC2-P COMPRESSION LOAD CELLS 1 t ... 150 t



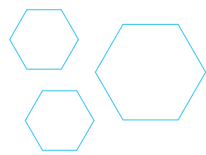
- Wide capacity range, 11 sizes between 1 t ... 150 t
- Low profile, robust stainless steel construction
- EU-tested, OIML R60, up to class C3
- Hermetically encapsulated, protection level IP68
- Load cell with connector speed up the load cell or cable exchange
- Guarantee 2 years

Series RC2 compression load cell is ideally suited for verifiable scales as well as for various process weighing applications. It can be used with mounting kits for hopper scales, vehicle scales and silos.

The load cell is robust and designed for use in demanding industrial environments. The body is made of stainless steel and hermetically sealed by laser welding.

Halogen-free cable connector is stainless steel and protection class IP68/IP69K.





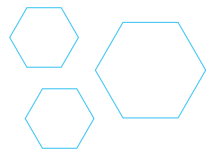
TECHNICAL SPECIFICATIONS AND DIMENSIONS

Nominal load Emax t	Limit load LI t	Break load Ld t	Nom. meas. displacement h mm	Load Cell Weight kg
1	1.7	4	0.13	0.6
2.2	4	9	0.12	0.6
4.7	8	19	0.12	0.7
10	17	40	0.17	1.2
15	25	60	0.18	1.3
22	38	90	0.21	1.3
33	58	130	0.25	2.1
47	80	190	0.33	4.3
68	120	270	0.35	4.8
100	170	400	0.45	7.0
150	250	600	0.57	8.6

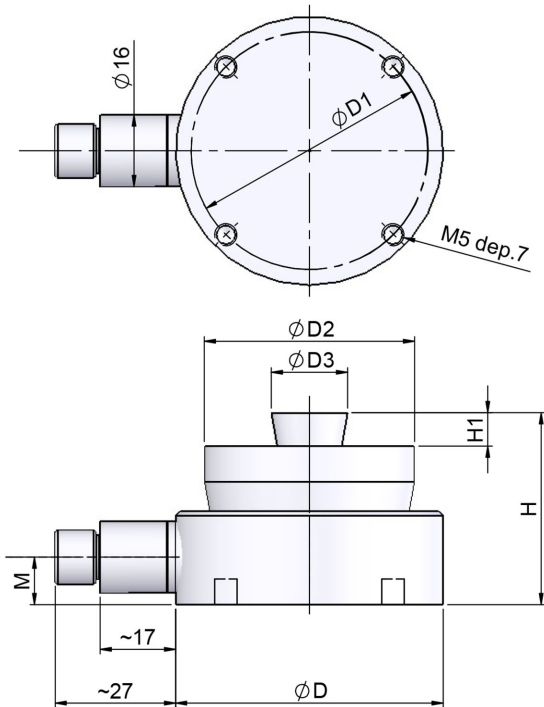
*Admissible static side load
Lq= 0.5 (Emax- 0.8 Lz)
but not higher than
Lqmax=0.3 Emax;
Emax = nominal load;
Lz= load in measuring direction*

Type RC2-P	Dimensions mm							M
	D	D1	D2	D3	H	H1	H2	
1 t	60	53	49	20	43	7,5	-	10,5
2,2 t	60	53	49	20	43	7,5	-	10,5
4,7 t	60	53	49	20	43	7,5	-	10,5
10 t	75	-	75	30	50	6,5	7	8,5
15 t	75	-	75	30	50	6,5	7	8,5
22 t	75	-	75	30	50	6,5	7	8,5
33 t	95	-	95	40	65	10	7	8,5
47 t	130	-	130	60	75	14	7	8,5
68 t	130	-	130	60	85	14	7	8,5
100 t	150	-	150	70	90	16	7	8,5
150 t	150	-	150	70	100	16	7	8,5

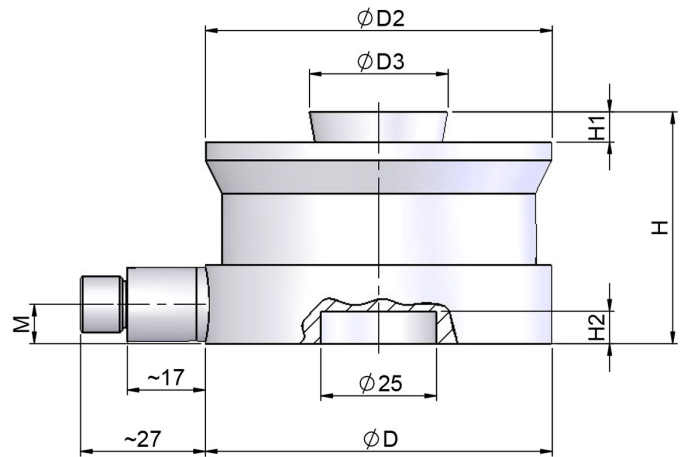




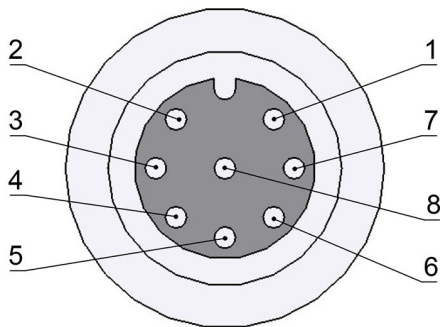
RC2-P – 1 t - 4,7 t



RC2-P – 10 t - 150 t



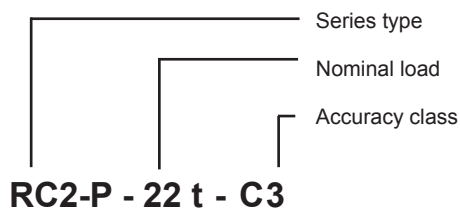
COUPLING

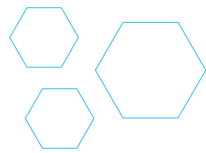


- Plug-in contact 1 = + measurement signal (white)
- Plug-in contact 2 = not in use
- Plug-in contact 3 = + sense lead (green)
- Plug-in contact 4 = not in use
- Plug-in contact 5 = - sense lead (gray)
- Plug-in contact 6 = - excitation voltage (black)
- Plug-in contact 7 = + excitation voltage (blue)
- Plug-in contact 8 = - measurement signal (red)
- cable cover (yellow)
- connected to the body of the sensor

Cable options	Length	
1-KAB175-3-1	3 m	Protection class IP68/IP69K Halogen-free
1-KAB175-6-1	6 m	
1-KAB175-12-1	12 m	

MARKINGS





TECHNICAL SPECIFICATIONS

Accuracy class	Symbol	F	C3
Nominal load	E _{max}	1 t - 150 t	1 t - 150 t
Nominal sensitivity	C _n	2,85 mV/V	2,85 mV/V
Sensitivity tolerance	D _c	±0,3 %	±0,1 %
Combined error*	F _{comb}	0,1 %	0,02 %
Minimum dead load output return	F _{dr}	±0,05 %	±0,016 %
Creep 30 min	F _{cr}	±0,06 %	±0,024 %
Temperature coefficient of zero point /10 K Nominal temperature range Temperature range	TK0	±0,1 % ±0,1 %	±0,007 % ±0,02 %
Temperature coefficient of sensitivity /10 K Nominal temperature range Temperature range	TKc	±0,1 % ±0,1 %	±0,008 % ±0,02 %
Minimum verification interval	v _{min}		E _{max} /20000
Minimum service range	B _{amin}		15 %
Max utilisation range	B _{amax}		B _{amax} = E _{max}
Input resistance	R _e	4480 Ω ± 50 Ω	
Output resistance	R _a	4010 Ω ± 10 Ω	4010 Ω ± 0,5 Ω
Zero signal	S ₀	±2 %	±1 %
Maximum voltage supply	U _{s max}	100 V	60 V
Nominal temperature range	B _{tn}	- 10°C ... + 40°C	
Temperature range	B _{tu}	- 40°C ... + 80°C	
Reference temperature	T _r	+ 22°C	
Storage temperature range	B _{ts}	- 50°C ... + 85°C	
Protection class	IP 68/IP69K		
Material Measuring body Cable connector	Stainless steel 1.4545 Stainless steel 1.4301		

*Combined error includes non linearity and hysteresis

