

RCK-MOUNTING KITS

FOR RC2 LOAD CELLS 1 t ... 33 t

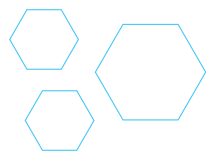


- The key to high-precision performance in industrial weighing

Mounting kits designed specially for RC2 load cell are an ideal solution for precise and reliable industrial weighing and dosing. The mounting kit is designed to eliminate changes in measures due to loading and thermal expansion, process equipment-generated lateral forces and vibrations, otherwise prone to affect the measuring results.

Choosing the right mounting kit will ensure the best performance of the load cell.





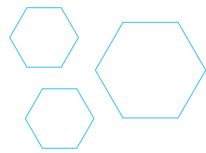
RCK MOUNTING KITS FOR RC2 LOAD CELL IN THE RANGE FROM 1 t TO 33 t

RCK 1 t ... 33 t

Mounting kit with constrainers

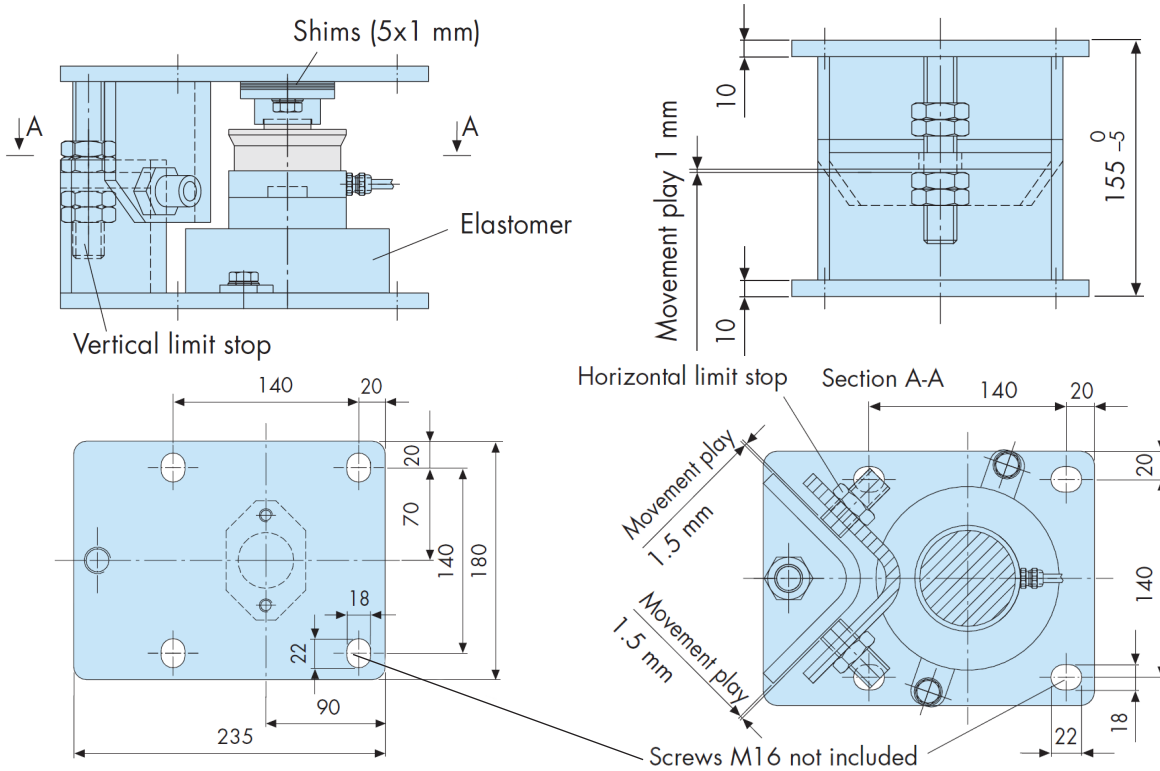
RCK Mounting kit comes with an elastomer part, upper and lower fastening plates as well as horizontal and vertical constrainers. Horizontal constrainers take lateral forces affecting the weighbridge due to moving the load, wind or mixer radial movements. Selfcentering construction will return the weighbridge back to its original position after disturbance. Vertical constrainer will stop the weighbridge possible motion upwards. The constrainers with adjustable limit stops allow a horizontal load of 10 % and a vertical load of 15 % of the mounting kit nominal load L. The mounting kit comes with shims (5 x 1 mm) for correcting possible differences in levels at mounting site.





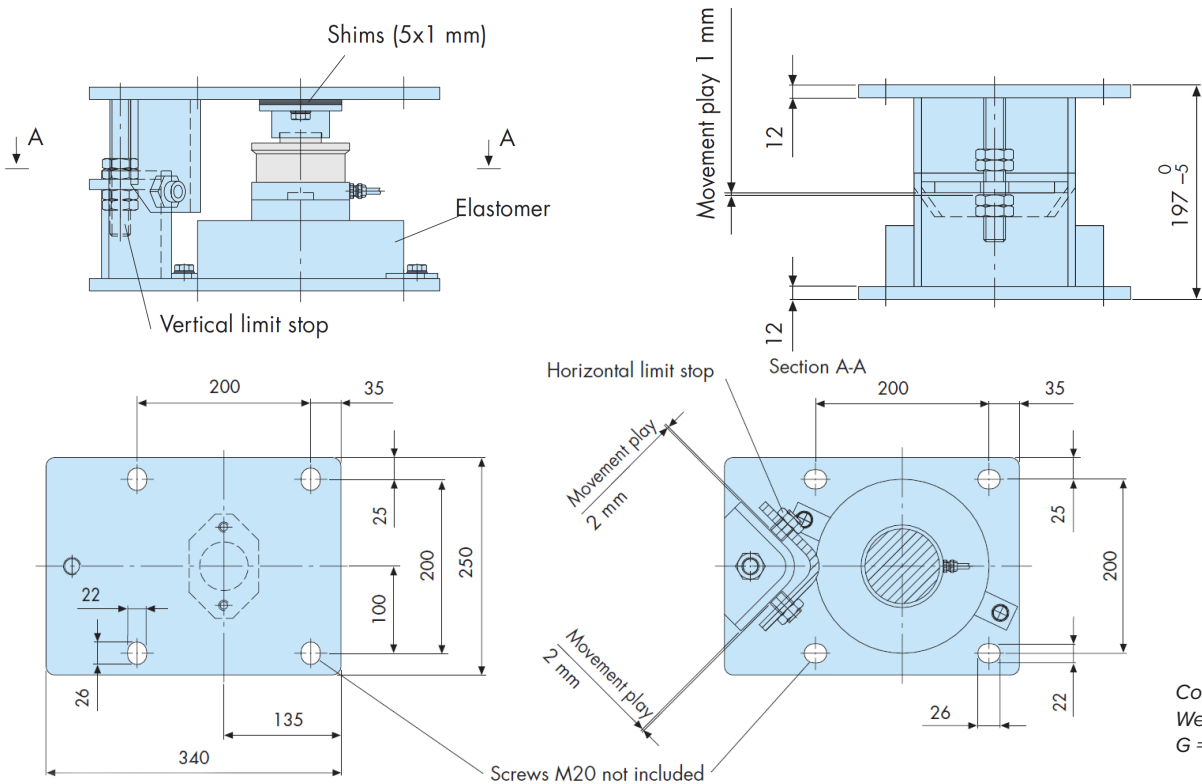
TECHNICAL SPECIFICATION AND DIMENSIONS

Mounting kit RCK-022B-S and RCK-022B-G for RC2 load cells in the range of 10 t – 15 t and – 22 t



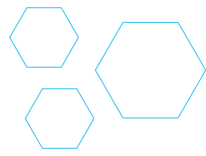
Compression 0.50 mm/22 t.
Weight 19 kg incl. load cell. S = Stainless steel, G = Galvanized steel.

Mounting kit RCK-033B-G for RC2 load cell in the range of 33 t



Compression 0.80 mm/33 t.
Weight 42 kg incl. load cell.
G = Galvanized steel.





Mounting kits RCK-002-S and RCK-005-S load cells RC2-1 t, RC2-2,2 t ja RC2-4,7 t

