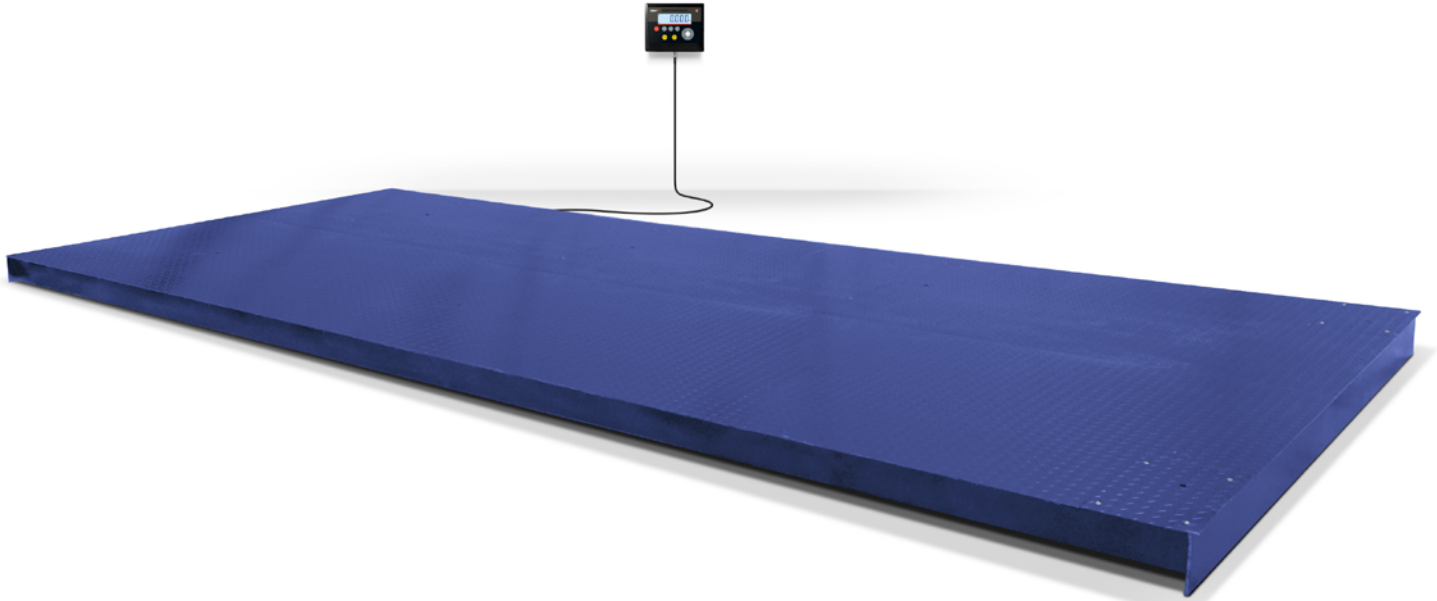


GRAM

Xtrem Speed M



10,000 kg



Light vehicles weighing, with legal approval

- Digital scale with CE-M Verification for legal use and 2 x 3000-division ranges.
- Heavy duty - allows passage of vehicles on the platform in any direction.
- Floor or recessed mounting, for installation in areas with little room for manoeuvre.
- Highly reliable with Z Link communication technology and Xtrem digital core.
- Fully autonomous, data sent to an indicator, PC, tablet or Android smartphone ⁽¹⁾.
- Maximum safety: important adjustment and calibration data incorporated in the platform are armoured.
- Web Server to send data to Chrome, Edge and Safari browsers.
- Total flexibility: Data sent by cable, Ethernet ⁽²⁾, WiFi ⁽²⁾ or RS485 ⁽²⁾.
- 2-layer epoxy coating, Class C3 sensors and IP67 protection.
- Prepared for high connectivity (Industry 4.0)

(1) With Wi-Fi option.

(2) Optional.

View the data on a smartphone

Our Xtrem equipment with WiFi option sends the data directly from the platform to a smartphone using our Android app, directly and without an indicator, from the weighing platform to the smartphone. It's that easy.



Hold

→T←

Time	Item
09:07:46	7638900295641
12:10:26	7638900295641

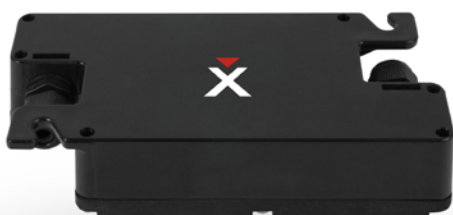


Z-Link connectivity

- Multiple connection options with indicators, PC software and Android smartphone.
- Fully digital platforms that include all data in its internal Xtrem module.
- Greater safety and reliability due to digital communication between platform, indicators and PC or Android software.
- Data sent directly to PC or smartphone by optional WiFi in the platform's own Xtrem module.
- Connection of multiple platforms via Wi-Fi or Ethernet router, for central management.
- Web Server for data capture from Chrome, Edge and Safari browsers.

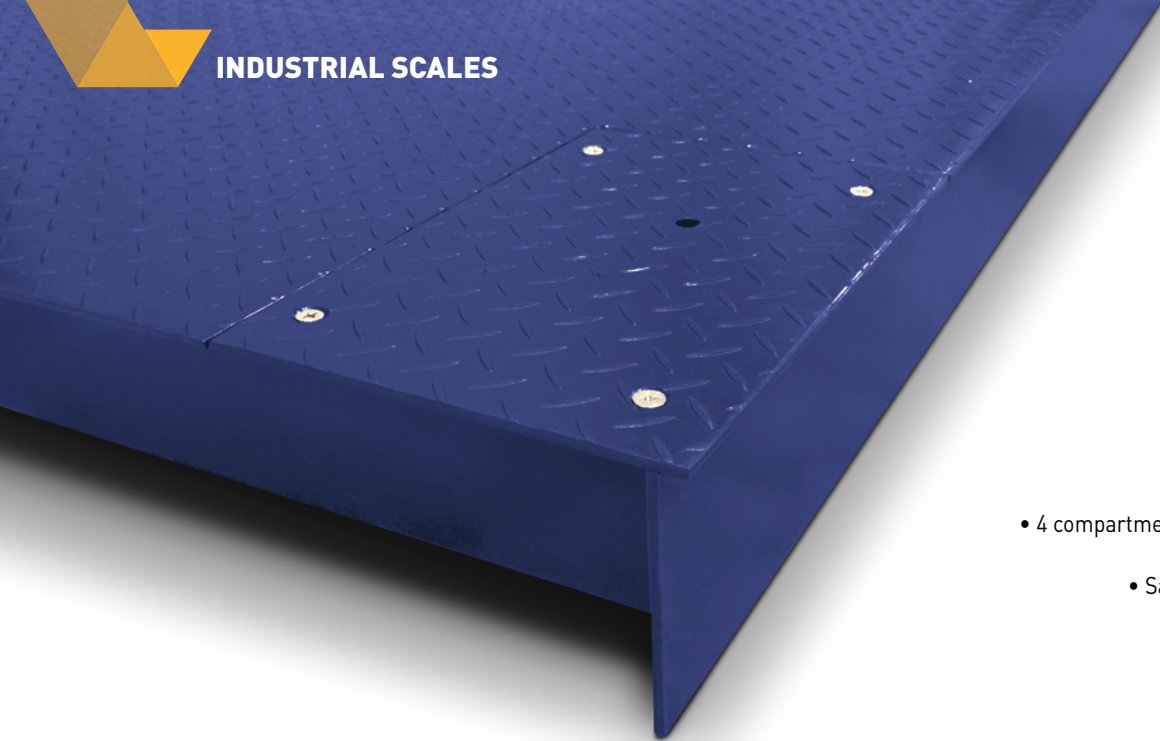
Protected connection with steel tube

- The Z Link connection cable is protected along most of its length by a steel tube.
- Excellent adaptation to the platform output for greater robustness.
- Guarantees proper communication of your Xtrem equipment with peripherals. Digital data are not influenced by bad connections or other equipment.



Digital core

- Xtrem digital module integrated inside the platform structure.
- The most advanced technology for maximum data security.



Easy access

- 4 compartments available for quick access to load sensors.
- Sandwich type, high rolling resistance.



Advanced connectivity

- Our Xtrem equipment connects directly ^[3] to the Ethernet, Wifi or RS485 without intermediate equipment.

[3] Optional.



Strong

- Steel construction with single block structure, heavy duty.
- Allows passage of vehicles in any direction on the platform.



Extra-long Z Link cables

- The standard Z Link digital connection cable can be replaced with longer ones of 8 and 15 m.
- Allows replacement in case of failure or breakage, due to its sealed connection and quick connectors.



4 m Z Link cable as standard.



Optional 8m Z Link cable.



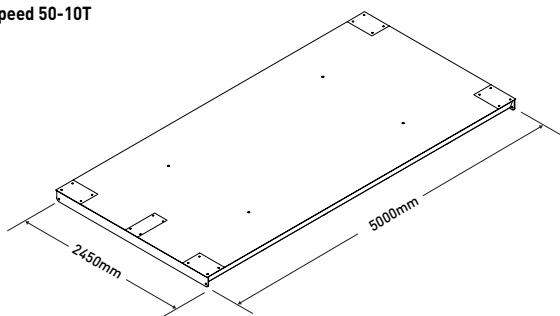
Optional 15m Z Link cable.

Model	M	Xtrem Speed 50-10T	Xtrem Speed 60-10T
Reference		71686M	71687M
Capacity / max (kg)		6000 / 10000	6000 / 10000
Resolution / e (g)		2000 / 5000	2000 / 5000
Weighing units		g, kg	
Class		OIML III	
Maximum error (g)		± 0,1%	
Tare range (g)		- Max ₂	
Connectivity		RS232C, Ethernet ⁽¹⁾ , WiFi ⁽¹⁾ , RS485 ⁽¹⁾	
Transmission speed		9600, 19200, 38400, 57600, 115200 bauds	
Power		Adapter 230 V/50 Hz (Euro) 7.5 Vdc or via indicator	
Working temperature		-10°C / +40°C	
Upper surface thickness		6 mm	
Lower structure thickness		4 mm	
Structure		Steel coated in kiln-fired epoxy resin	
Load sensors		4 x H8C IP67	
Connections box		Hermetic with IP-68 protection, in AISI 304 stainless steel	
Dim. platform (mm)		5000 x 2450	6000 x 2450
Minimum height		160	
Maximum height		170	
Platform net weight (kg)		1300	1550
Packaging dim. (mm)		5000 x 2500 x 390	6000 x 2500 x 390
Total weight with packaging (kg)		1400	1650

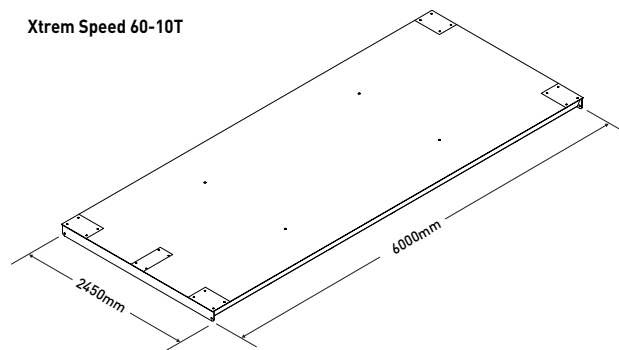
(1) Non-simultaneous options.

External dimensions (mm)

Xtrem Speed 50-10T



Xtrem Speed 60-10T



▶ XTREM INDICATORS

K3X indicator

- With CE-M Verification for legal use.
- Classification or check by weight with display in 3 colours.
- Tare memory for weighing tanks and silos.
- Accumulation of weights with totalling.
- Normal or fixed tare, with 20 memories.
- Print-out with 3 lines at the top and 2 lines at the end of the ticket.
- Date and time on ticket records.
- Accumulation of weights with totalling.
- RS232C serial connection for PC and optional printers.
- Optional USB output to PC
- 3-relay digital output and simple, single-speed dispensing.
- ABS casing with IP65 protection.



K3iX indicator

- With CE-M Verification for legal use.
- Classification or check by weight with display in 3 colours.
- Tare memory for weighing tanks and silos.
- Accumulation of weights with totalling.
- Normal or fixed tare, with 20 memories.
- Print-out with 3 lines at the top and 2 lines at the end of the ticket.
- Date and time on ticket records.
- Accumulation of weights with totalling.
- RS232C serial connection for PC and optional printers.
- Optional USB output to PC
- 3-relay digital output and simple, single-speed dispensing.
- AISI 304 stainless steel casing with IP65 protection.



K3iX P indicator

- With CE-M Verification for legal use.
- Classification or check by weight with display in 3 colours.
- Tare memory for weighing tanks and silos.
- Accumulation of weights with totalling.
- Normal or fixed tare, with 20 memories.
- Print-out with 3 lines at the top and 2 lines at the end of the page.
- Date and time on ticket records.
- Accumulation of weights with totalling.
- 3-relay digital output and simple, single-speed dispensing.
- AISI 304 stainless steel casing.



▶ SOFTWARE XTREM

PC Xtrem

- Indicator PC software with CE-M Verification for legal use.
- Scalable display size, can occupy the entire screen.
- Data recording and export in CSV file.
- 3 free data fields to include more information.
- Copies and pastes the weight, or drags it to another window.
- Enter a tare value using the numeric keypad.
- Allows configuration of the balance from the same application.
- Shows several devices connected to the PC simultaneously, each in its own window.
- 10 times higher resolution available on the display.
- Display and export of weight data by QR code on screen.
- No need for a classic indicator; connects directly to the Xtrem scale via the included Z Link cable and an optional PC adapter cable.



APP Xtrem

- Prints labels (4) and records weights with user name, customer, date/time, product code and net, gross and tare weights.
- Send weight records via email, social networks and most of the Android terminal applications (4).
- Up to 4 Android terminals can be connected via our Xtrem app to the Xtrem balance.
- The application can be connected to any balance, if more than one is available.
- The product bar code can be scanned with the terminal camera (4).
- Has a Tare memory with a name database.
- View weight limits with partial and full screen.
- Export the results obtained to Excel (4).



(4) With Premium options activated.

▶ APP XTREM OPTIONS

Q1 label printer

- Prints labels from the smartphone with an Android app (4).
- Adds a barcode for the results.
- Autonomy of up to 14 hours on standby and up to 165 labels.
- Bluetooth connection.



(4) With Premium options activated.

▶ ACCESSORIES INDICATOR

PR4 printer

- Compact thermal printer.
- Printing speed of 130 mm/s.
- Ticket width 58 mm.
- Paper roll capacity up to 83 mm in diameter.
- Connection with K3X and K3iX by cable (included).



Q2 printer

- Easy paper loading.
- Printing speed: 76 mm/s.
- Detects the beginning of the label.
- Front exit, protected from liquids.
- Maximum capacity 90 mm diameter.
- LED status bar.
- Interchangeable print head without screws.
- Connection with K3X and K3iX by cable (included).



Traffic light with relay board

- LED indication with 3 adjustable levels for product classification or luminous information on weight differences programmed in the K3X, K3iX and K3iX P indicators.
- Wired connection.



USB connection

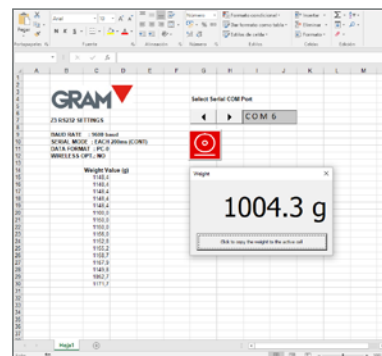
- Data output with USB-A female connector.
- PC compatible.
- USB-A to USB-A cable not included.



▶ INDICATOR SOFTWARE

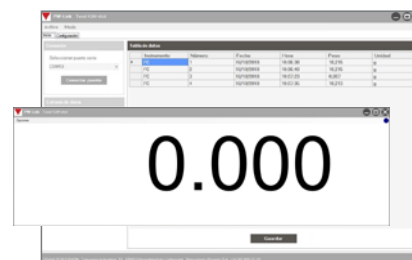
EX Link

- PC application for data capture.
- Imports records in CSV or compatible sheet.



PW Link

- PC application for viewing and recording data.
- Display with adjustable dimensions - can occupy the entire PC screen width.
- View and record data with date and time.
- Export records to CSV.
- Compatible with K3X and K3iX, includes connection cable.



▶ CABLES

USB Direct K

- Smart direct connection with PC.
- Enter data in any open application on the PC.
- No software needed; the PC recognises the smart cable.
- The data sent includes the measurement unit (g or kg).



▶ CERTIFICATIONS

ISOICAL certificates

- Our Xtrem equipment is delivered with CE-M Verification as standard.
- We also offer our ISOICAL Certificates, with individualised calibration data for the Xtrem equipment.
- Help maintain your ISO9001 Quality System.



▶ INDICATOR COLUMNS

Painted steel base with stainless steel column for K3X

- Supports K3X indicator on a 930 mm tall column.



Indicator not included.

Painted steel base with stainless steel column for K3iX, K3iX P

- Supports a K3iX or K3iX P indicator on a 930 mm tall column.



Indicator not included.

Stainless steel base with stainless column for K3X

- Supports K3X indicator on a 930 mm tall column.



Indicator not included.

Stainless steel base with stainless column for K3iX, K3iX P

- Supports a K3iX or K3iX P indicator on a 930 mm tall column.



Indicator not included.

▶ INDICATOR BRACKETS

ABS ball joint support for K3X

- Adapts the K3X indicator for wall mounting.



Stainless steel U-shaped bracket for K3iX, K3iX P

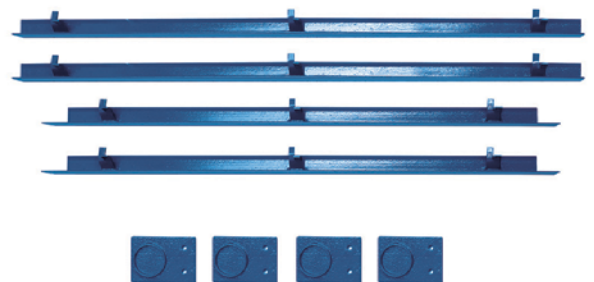
- U-shaped bracket for wall mounting of compatible indicators.



▶ PLATFORM ACCESSORIES

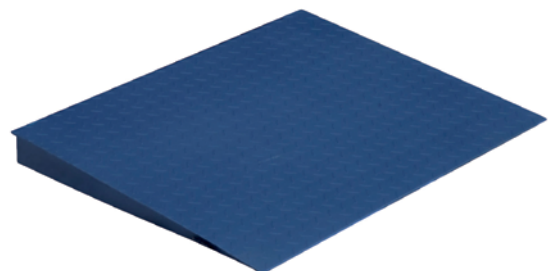
Steel surround

- Painted steel surround of four perimeter plates and four centring plates for the feet of the scale.
- For recessed installation in the ground.



Practical access ramps

- Reduced size, short ramp (RM) for easy access of heavy loads.



► CERTIFICATIONS

Ref.	Model
8033	ISOCAL certificate from 3001 kg to 10000 kg

► XTREM OPTIONS

Ref.	Model
72026A	PC Xtrem software (includes cable to self-powered PC)
33819A	Xtrem Android app (includes WiFi connection and power cable)
71725A	Xtrem Premium app 1 year (includes WiFi connection and power cable)
32351	Z-Link connection 8m
32352	Z-Link connection 15m
71683	WiFi connection (1)
71683A	WiFi connection with power (includes PC Xtrem software) (1)
32377A	Powered Ethernet connection (includes PC Xtrem software) (1)
32382A	RS485 connection with power supply (includes PC Xtrem software) (1)
72034A	Bluetooth printer Q1 labels with Wifi board and Premium app 1 year

► PLATFORM ACCESSORIES

Ref.	Model
70436	RM-25 Access Ramp for Speed model
70834	MP-5025 Pit frame & Anchor plates Kit
70835	MP-6025 Pit frame & Anchor plates Kit

► K3X, K3iX OPTIONS

Ref.	Model
32330	3-relay board
32332	Tare pedal

► INDICATOR ACCESSORIES

Ref.	Model
70034X	PR4 wired printer for K3, K3i (2)
70814A	Q2 wired label printer for K3, K3i (2)
70814B	Q2 ticket printer with cable for K3, K3i (2)
60210A	Traffic light with relay board
3792A	EX-Link software (4m cable to PC included)
3792C	EX-Link software (USB output included)
71722A	PW-Link software (4m cable to PC included)
71722G	PW-Link software (USB output included)
61084	Direct K USB cable (2)
33770	USB output (2)
3804X	CS-1 Painted steel support base with stainless steel column for K2, K3, Z3, SC2
3804B	CS-1 Painted steel support base with stainless steel column for K3i, K3i P
3805A	CS-1 S Stainless steel support base with stainless steel column for K2, K3, Z3, SC2
3805X	CS-1 S Stainless steel support base with stainless steel column for K3i, K3i P
32278	Stainless steel U wall support (K3, K3i, K3i P)
31661	Wall support in painted steel with ABS swivel joint (SC2, K2, K3, Z3)

► NOTES

(1) Only one of these options can be taken.

(2) Only one of these options can be taken.



gram-group.com