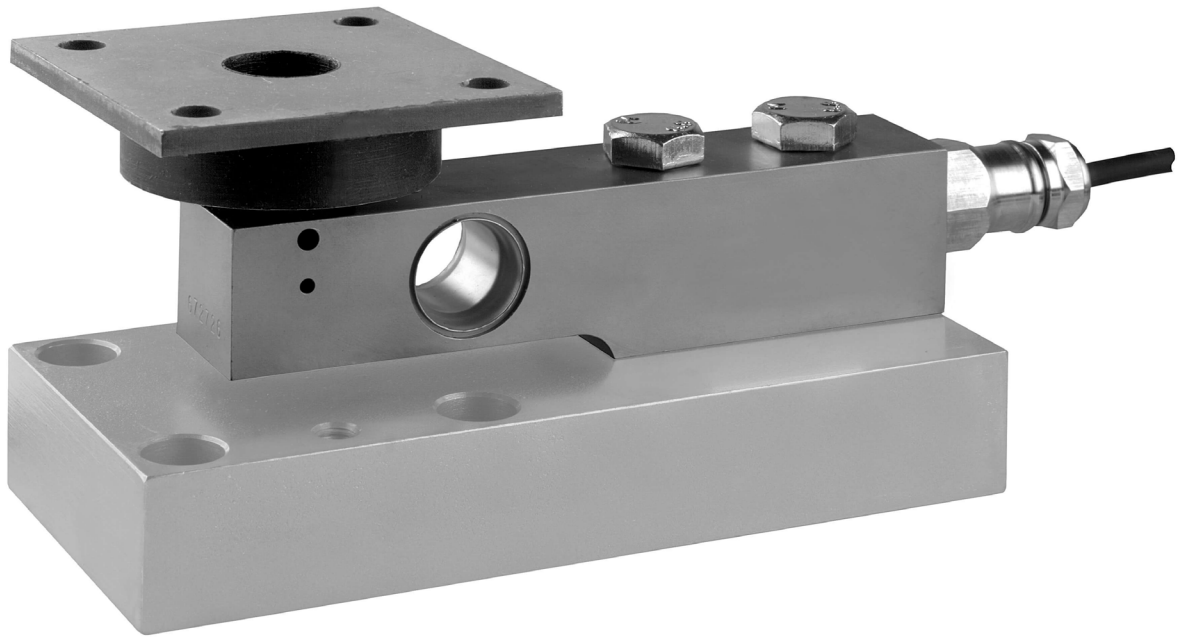


52-05 rubber element with flange



product description

The 52-05 is a self-aligning rubber element complete with a zinc plated, steel mounting flange. Low profile in design it ensures precise load introduction in applications subject to thermal expansion or vibration. Especially designed for the SB4, SB5, SB6, SLB, SB9 and SB14 load cells.

accessories

Welding plate

applications

Hopper and tank weighing systems, mixing vessel weighing systems.

key features

Zinc plated or stainless steel

Blind hole load introduction

Large range of capacities available (20 kg to 10,000 kg)

High lateral compliance

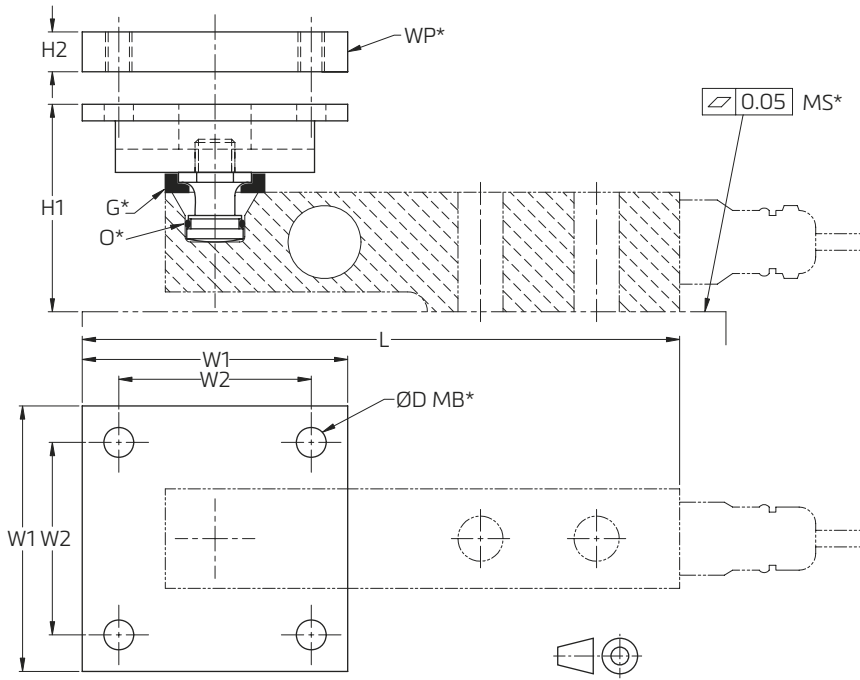
Low profile

Easy installation

W&M certified



product dimensions (mm)



WP* - Welding plate (accessory)
 G* - Gasket
 O* - O-ring
 MS* - Mounting surface
 MB* - Diameter of mounting bolts

Note: If lateral forces exceed the RF value, use bumper stops.
 Gap approx. 2...3 mm.

Load Cell Type	Capacity	L	H1	H2	W1	W2	Mounting bolts D	S_{max}^{**}	RF ^{***}
SB6	0.2...2 kN (20.4...204 kg)	150	65*	6	60	44	M6	6 mm	700 N
	500 lb (227 kg)	150.6	54						
SB14	1...5 klb (454...2268 kg)	164	60*	12	80	58	M8	5 mm	1.6 kN
		10 klb (4536 kg)	209						
SLB / SB9	200...500 lb (91...227 kg) / 250 kg	154	55*	6	60	44	M6	6 mm	700 N
		1...5 klb (454...2268 kg) / 500...2000 kg	164						
SB4 / SB5	5...20 kN (510...2039 kg)	180	63	12	100	76	M10	5 mm	5 kN
	50 kN (5099 kg)	219	78						
	100 kN (10197 kg)	265	104						
		275	108	20	120	90	M12		7 kN

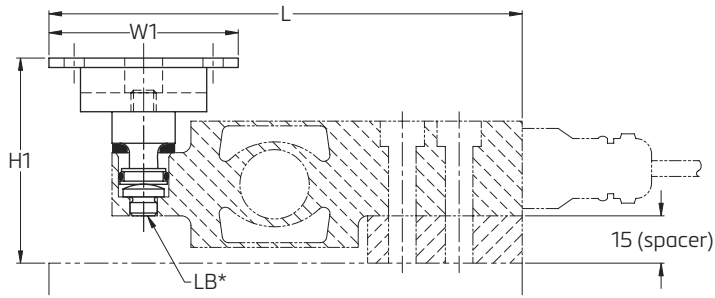
* Including spacer.

** S_{max} = maximum lateral displacement of load introduction.

*** RF = restoring force at S_{max} .

CAD files for customer's own application drawings are available for download from the Flintec homepage.

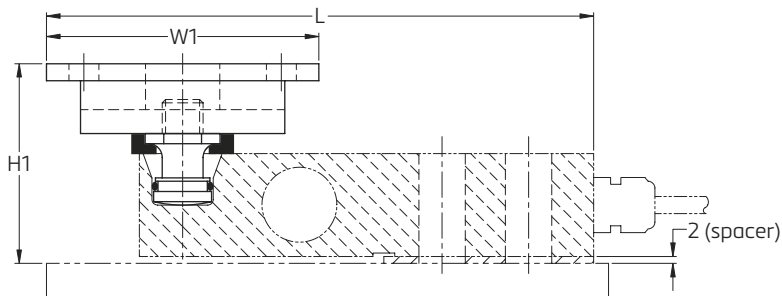
details of SB6 load cell



LB* - Load button

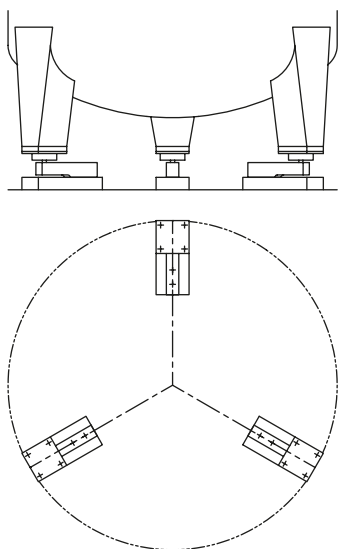
When using the SB6-20kg/50kg load cell, the supplied washer must be mounted between the rubber element and load pin."

details of SLB load cell

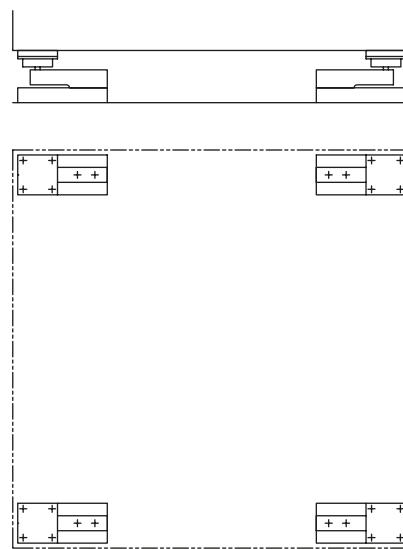


example setups

Tank weighing system with 3 load cells



Platform or hopper scale with 4 load cells



Specifications and dimensions are subject to change without notice.