

Type 53-04 Tension Assembly

Product Description

Flintec load cell supports are designed to prevent unwanted forces from affecting load cell performance.

The type 53-04 is a self aligning tension assembly.

Especially designed for the UB1, UB6 and ULB load cells.

Standard version: steel, zinc plated.

Key Features

- Capacity range: 100 kg to 5 000 kg
- Very easy to install
- Especially designed for hopper scales, tank weighing systems and hybrid scale

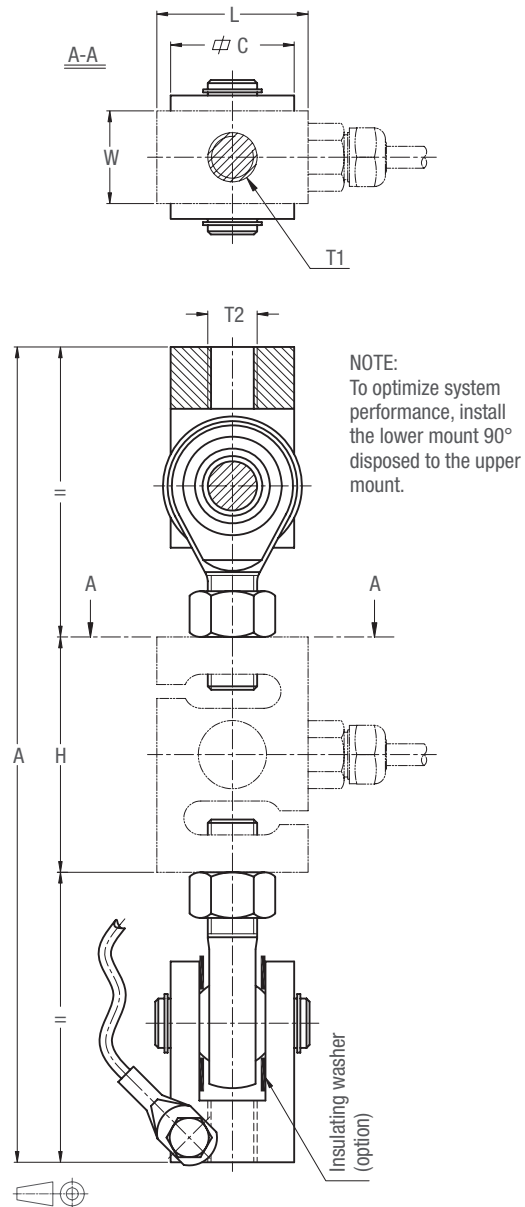
Weight (Excluding Load Cell)

■ Capacity (t)	≤ 0,5	2	3	5
Weight (kg)	0.8	1.5	3	5

Dimensions (in mm)

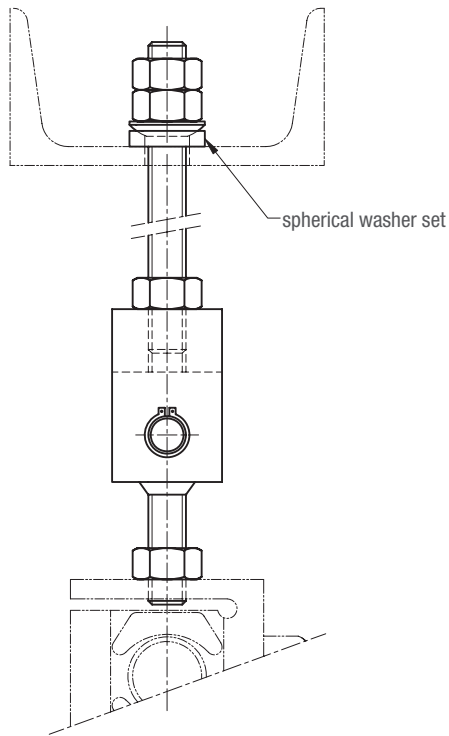


Tension assembly 53-04 and ULB load cell

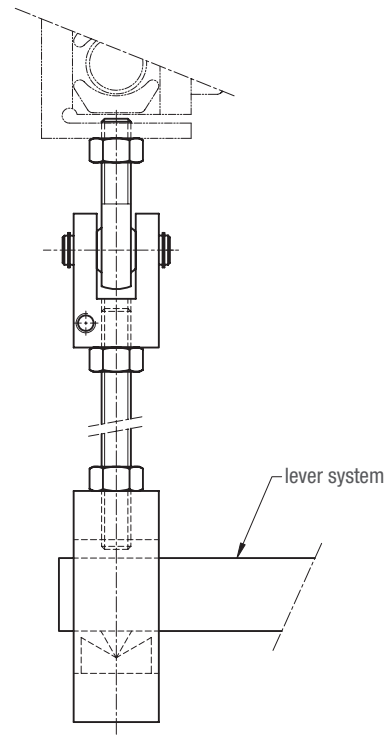


Load Cell Type	Capacity	H	L	W	A	C	T1	T2	Max. safe static Load
UB6	1/2/5 kN (102/204/510 kg)	61.5	61.5	30	220	30	M12	M12	2/4/10 kN (204/510/1 020 kg)
	10/20 kN (1 020/2 039 kg)	92	86		275	40	M16	M16	
UB1	50 kN (5 099 kg)	136	143	43	400	60	M24x2	M24	75 kN (7 645 kg)
	100/200/500 kg	76.2	49	30	220	30	M12	M12	2/4/10 kN (204/510/1 020 kg)
1 000 kg	264				40	M16	M16	20 kN (2 039 kg)	
ULB	2 000 kg	86.1	76.2	40	270	50	M20x1.5	M20	30 kN (3 058 kg)
	3 000 kg	88.7	88.7		310				45 kN (4 587 kg)
	5 000 kg	146	91.2		56.4				420

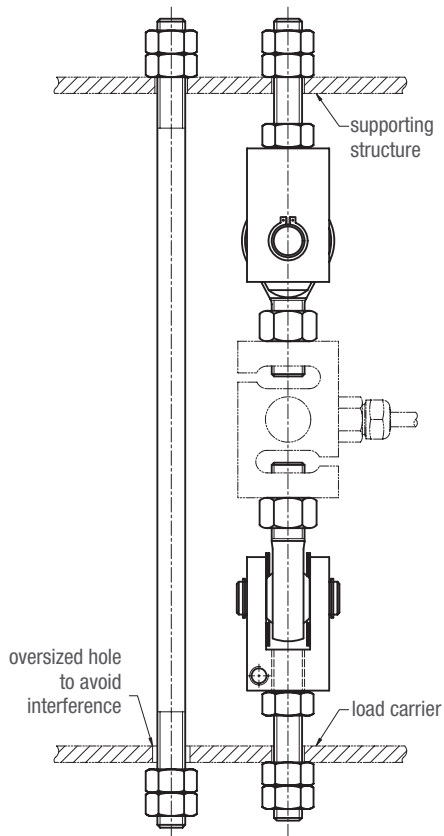
Examples



Improved connection to support structure



Hybrid scale conversion



Vertical safety check rod shall always be used in overhead applications.